

PITANCO

P R E C I S I O N

ISO 9001



www.pitancoprecision.com

191 Brossard, Delson, Quebec J5B 1W9

450 638-5255 • 1866-688-5220

info@pitancoprecision.com

**Support your
local businesses !**

PITANCO
PRECISION



OUR MISSION

Incorporated in November 2006, Pitanco Precision Inc. was founded by Mister Alain Dutil, who has more than 30 years experience in the manufacturing of pressure and temperature instrumentation destined for the transportation and industrial sectors. In effect, Les Instrument Pitanco inc, the parent company of Pitanco Precision Inc. has existed for over 60 years and has distributed a wide range of products to world-wide destinations, all manufactured in Quebec (Canada). To meet the increasing demands of their clientele, the decision to create this new company was taken.

To ensure complete customer satisfaction and meet their expectations, the entire product line offered by Pitanco Precision was carefully selected, following a comprehensive and thorough analysis of the products. Quality and reliability are of the utmost importance to Pitanco Precision, therefore these and other selected criteria are the benchmarks that allow us to present a complete line of dependable and highly competitive products.

Also, to better suit the needs of our clientele, we have acquired and expended our facility to 14,000 sq. ft. located in the Delson industrial park, where both enterprises operate out of. Thus, Pitanco Precision now possesses an inventory with a large volume of pressure gauges, thermometers, diaphragm seals and instrumentation accessories to better serve the needs of the industry.

Our personnel are known and recognized for their professionalism, their expertise and their ability to adapt to any given situation. These qualities enable them to answer your requests promptly and without delay.

Thank you for the interest you have shown in Pitanco Precision Inc.

Pitanco your precision guarantee

TABLE OF CONTENTS

GAUGES

Nomenclature for pressure gauges.....	G0
Multiple purpose pressure gauge - Model A	G1 to G3
Contractor gauge - Model 450CB	G4-G5
Industrial gauge manufactured at our plant– Models 450PC6 and 451PC6	G6-G7
Process gauge – Models 450PB and 450PSS	G8-G9
All purpose panel mount pressure gauge – Model PA	G10
Welding gauge – Models WB and WSS	G11
Low pressure gauge – Models LPB and LPSS	G12 to G15
Low pressure gauge for panel mounting – Model LPB-UC.....	G16
Portable low pressure test kit – Model TKLP	G17
Glycerin filled industrial pressure gauge – Models LFB and LFB-BAY	G18 to G25
Industrial gauge – Model SS	G26-G27
Industrial pressure gauge glycerin filled – Models LFSS and LFSSW	G28 to G33
U-Clamp	G34
Flange	G35
High Accuracy Field Digital Pressure Gauge – Models DPG200, DPG200A, DPG200B, DPG280 and DPG280B....	G36 to G40
Gauges filling and diaphragm seal assembly / Accessories and options for gauges	G41
Other services and options / Gauge execution criterion and allowed tolerances (psi)	G42
Ranges and graduations chart for pitanco precision gauges	G43
Conversion table.....	G44
Operation and Maintenance of a Pressure Gauges	G45

ACCESSORIES

Forged brass needle valve – Model NV25FFB	A1
One piece brass or 316 stainless steel needle valve – Models NVB and NVSS316	A2
Cooling tower – Model CTSS	A3
Mini ball valve – Model MBV	A4
Mini ball valve NPTF x NPTM, 1000 WOG – Model MBVSS25	A4
Pigtail siphons	A5
PTT (Test Plug or Pete's Plug®)	A6
Snubber – Model SN	A7
Ajustable Snubber – Model SNAJ	A8

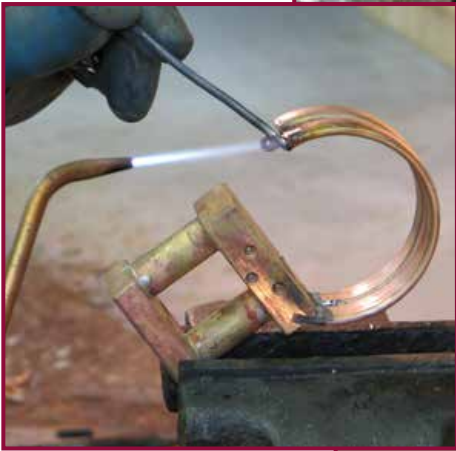
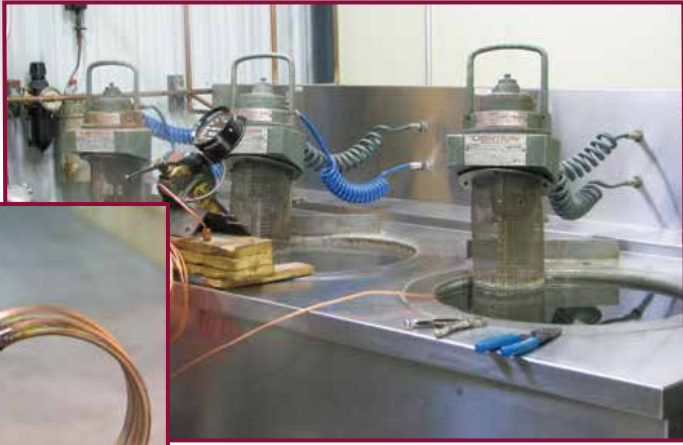
DIAPHRAGM SEALS

Mini diaphragm seal – Models MD175, MD250, MD251 and MD250LP	S1
Diaphragm seal – Model D400	S2-S3
Polyvinyl chloride (PVC) diaphragm seal – Models 250PVC and 300PVC-LP	S4
Sanitary diaphragm seal – Models DTC150SS and DTC200SS	S5
Sanitary gauge – Models SDTC150 and SDTC200	S6-S7

TABLE OF CONTENTS (CONTINUED)

THERMOMETERS

Industrial 5 in thermometer – Models IT500A and IT500S	T1
Industrial 8 in hot water thermometer – Models IT800A and IT800S	T2
Multi-angle industrial thermometer 9 in – Model ITA900	T3
Multi-angle industrial thermometer 9 in, Brass Stem – Model ITA900BR	T4
Multi-angle solar digital industrial thermometer – Model ITA900SD	T5
– Well for multi-angle industrial thermometer ITA900 and ITA900SD – Model WEL	T6-T7
Bimetal thermometer – Models B3 and B5	T8-T9
Bimetal thermometer for maple syrup – Model MS.....	T10-T11
Adjustable angle bimetal thermometer – Models B3A and B5A	T12-T13
Adjustable angle digital bimetal thermometer – Model digital B3DST	T14
– Well for bimetal thermometer, fixed or adjustable stem – Model WEL	T15
Hot water bimetal thermometer – Model B252	T16
Clamp-on thermometer – Model TCL250	T17
Remote reading HVAC thermometer – Models T200 and T250	T18
Remote reading solar digital thermometer – Models DIT200 and DIT250	T19
Remote reading thermometer manufactured at our plant – Models TC6 and TC7	T20-T21
Remote reading thermometer manufactured at our plant – Models PX5 and PX8	T22-T23
Stainless steel remote thermometer – Models TC400SS, TC401SS and TC402SS	T24
– Wells remote thermometer – Model WEL-TC400	T25
Thermometer front flange - Model TC35SS-03	T26
Tridicator – Model TRI	T27-T28



Gauges





NOMENCLATURE FOR PRESSURE GAUGES

First two digits	Size
15	1,5 in (40mm)
20	2 in (50 mm)
25	2,5 in (63 mm)
40	4 in (100 mm)
45	4,5 in (114 mm)
60	6 in (150 mm)
Third digit	Connection
0	Bottom connection
1	Back mount (center or lower back depending on series/model)

Last digits	Scale
01	-30 in/Hg
02	-30 in/Hg x 15 psi/kPa
03	-30 in/Hg x 30 psi/kPa
04	-30 in/Hg x 60 psi/kPa
05	-30 in/Hg x 100 psi/kPa
06	-30 in/Hg x 160 psi/kPa
07	-30 in/Hg x 200 psi/kPa
08	-30 in/Hg x 300 psi/kPa
09	0/15 psi/kPa
10	0/30 psi/kPa
11	0/60 psi/kPa
12	0/100 psi/kPa
13	0/160 psi/kPa
14	0/200 psi/kPa
15	0/300 psi/kPa
16	0/600 psi/kPa
17	0/1000 psi/kPa
18	0/1500 psi/kPa
19	0/3000 psi/kPa
20	0/5000 psi/kPa
21	0/10000 psi/kPa
22	0/2000 psi/kPa
23	0/400 psi/kPa
24	0/40 psi/275 kPa
25	0/6000 psi/kPa
26	0/15000 psi/kPa
27	-
28	0/4000 psi-kPa
29	-

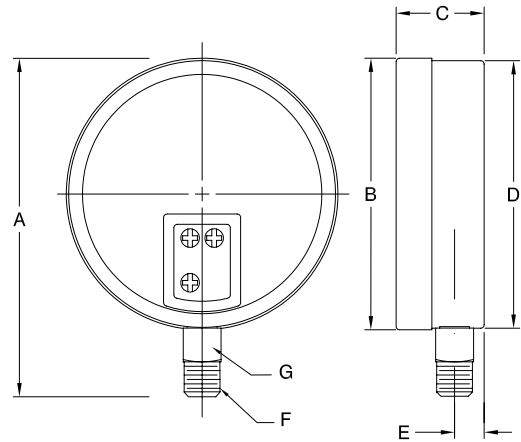
Serie	Type	Case/Tube
A	Multiple Purpose	Black steel/Brass
CB	Contractor	Stainless Steel/Brass
LFB	Liquid filled/Fillable	Stainless Steel/Brass
LFSS/LFSSW	Liquid filled/Fillable	Stainless Steel/Stainless Steel
WB	Welding/Gas	Polished brass/Brass
WSS	Welding/Gas	Polished brass/Stainless Steel
PA (before size)	Panel mount	Black steel/Brass
PB	Process	Phenolic/Brass
PSS	Process	Phenolic/Stainless Steel
LPB	Low Pressure	Black steel/Brass
LPSS	Low Pressure	Black steel/Stainless Steel

Last numbers	Scale
30	30/150 psi x -40/85°F (Amonia)
31	30/300 psi x -55/125°F (Amonia)
5psi	0/5 psi/35 kPa
10psi	0/10 psi/70 kPa
15W0	0/15" H2O/oz
15WV	0/15" H2O Vacuum
32W0	0/32" H2O/oz
32WV	0/15" H2O Vacuum
55W0	0/55" H2O/oz
55WV	0/55" H2O Vacuum
100W0	0/100" H2O/oz
100WV	0/100" H2O Vacuum
200W0	0/200" H2O/oz
300WV	0/300" H2O Vacuum

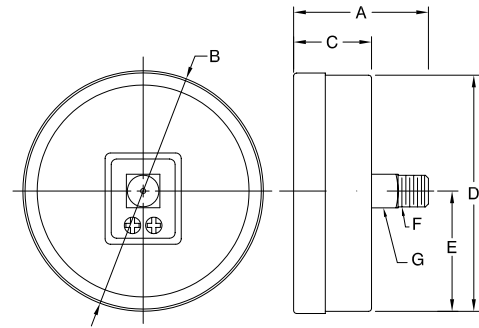
Specials	Characteristics
-B	BAR/PSI scale
BAY	Bayonet Ring
-D	Dry
-K	Scale KG/cm2
-O2	Cleaned for Oxygen service
-X	LEAD FREE
-S	Silicone filled
-P	Propylene Glycol filled

MULTIPLE PURPOSE PRESSURE GAUGE MODEL A

Illustrated model:
400A16



Illustrated model:
401A10



Specifications

Case:	Steel, painted black
Dial:	White aluminum with psi graduations in black, kPa in blue (Std), kPa in green (-X)
Ring:	Steel, painted black
Lens:	Polycarbonate
Pointer:	Steel, painted black
Connection:	1/8 or 1/4 in nptm bottom or center back mount
Wetted parts:	Brass (Std), Lead Free Brass (-X)
Bourdon tube:	Phosphor bronze
Maximum process and ambient temperature:	-40 to 200°F / -40 to 93°C
Recommended pressure:	Maximum 75 % of full scale value
Overpressure limit:	25 % over full scale value
Accuracy:	ASME B40.100(B40.1), Grade B ± 2 %
Certification:	Canadian Registration Number (CRN) for all provinces.

Dimensions as per diagram

Ø	Connection	A	B	C	D	E	F	G
1,5 in (40 mm)	bottom	2,22 in (56,4 mm)	1,66 in (42,2 mm)	0,98 in (24,9 mm)	1,60 in (40,6 mm)	0,32 in (8,1 mm)	1/8 in nptm	7/16 flat (11 mm)
	center back	1,58 in (40,1 mm)	1,66 in (42,2 mm)	0,98 in (24,9 mm)	1,60 in (40,6 mm)	0,80 in (20,3 mm)	1/8 in nptm	7/16 flat (11 mm)
2 in (50 mm)	bottom	2,82 in (71,63 mm)	2,07 in (52,6 mm)	1,11 in (28,2 mm)	2,01 in (50,9 mm)	0,39 in (9,91 mm)	1/8 in nptm 1/4 in nptm	7/16 flat (11 mm) 9/16 flat (14 mm)
	center back	1,83 in (46,5 mm)	2,07 in (52,6 mm)	1,11 in (28,2 mm)	2,01 in (50,9 mm)	1 in (25,5 mm)	1/8 in nptm 1/4 in nptm	7/16 flat (11 mm) 7/16 flat (11 mm)
2,5 in (63 mm)	bottom	3,26 in (82,8 mm)	2,5 in (63,5 mm)	1,11 in (28,2 mm)	2,44 in (61,9 mm)	0,39 in (9,91 mm)	1/4 in nptm	9/16 flat (14 mm)
	center back	1,87 in (47,5 mm)	2,5 in (63,5 mm)	1,11 in (28,2 mm)	2,44 in (61,9 mm)	1,2 in (32 mm)	1/4 in nptm	9/16 flat (14 mm)
4 in (100 mm)	bottom	4,92 in (125 mm)	3,95 in (100 mm)	1,28 in (32,5 mm)	3,88 in (98,5 mm)	0,43 in (10,9 mm)	1/4 in nptm	9/16 flat (14 mm)
	center back	2,22 in (56,4 mm)	3,90 in (99 mm)	1,28 in (32,5 mm)	3,88 in (98,5 mm)	1,5 in (38,1 mm)	1/4 in nptm	9/16 flat (14 mm)

MULTIPLE PURPOSE PRESSURE GAUGE (CONTINUED)

MODEL A

To order, use the code in the corresponding column

Size	1 1/2 in (40 mm)		2 in (50 mm)				2 1/2 in (63 mm)		4 in (100 mm)		
Case	steel										
Brass Connection	1/8 in nptm		1/8 in nptm		1/8 in bsptm center back	1/4 in nptm		1/4 in nptm		1/4 in nptm	
	bottom	center back	bottom	center back		bottom	center back	bottom	center back	bottom	center back
Range	Product code										
-30 in Hg to 0 vac/kPa	150A01	151A01	200A01-125	201A01-125		200A01-250	201A01-250	250A01	251A01	400A01	401A01
-30 in Hg to 15 psi/kPa								250A02	251A02	400A02	401A02
-30 in Hg to 30 psi/kPa								250A03	251A03	400A03	401A03
-30 in Hg to 60 psi/kPa								250A04	251A04	400A04	401A04
-30 in Hg to 100 psi/kPa								250A05	251A05	400A05	401A05
-30 in Hg to 160 psi/kPa								250A06	251A06	400A06	401A06
-30 in Hg to 200 psi/kPa								250A07	251A07	400A07	401A07
-30 in Hg to 300 psi/kPa								250A08	251A08	400A08	401A08
0 to 15 psi/kPa	150A09	151A09	200A09-125	201A09-125		200A09-250	201A09-250	250A09	251A09	400A09	401A09
0 to 30 psi/kPa	150A10	151A10	200A10-125	201A10-125		200A10-250	201A10-250	250A10	251A10	400A10	401A10
0 to 60 psi/kPa	150A11	151A11	200A11-125	201A11-125		200A11-250	201A11-250	250A11	251A11	400A11	401A11
0 to 100 psi/kPa	150A12	151A12	200A12-125	201A12-125		200A12-250	201A12-250	250A12	251A12	400A12	401A12
0 to 160 psi/kPa	150A13	151A13	200A13-125	201A13-125		200A13-250	201A13-250	250A13	251A13	400A13	401A13
0 to 160 psi/bar								250A13B	251A13B		
0 to 200 psi/kPa	150A14	151A14	200A14-125	201A14-125	201A14-125 BSPT	200A14-250	201A14-250	250A14	251A14	400A14	401A14
0 to 300 psi/kPa	150A15	151A15	200A15-125	201A15-125		200A15-250	201A15-250	250A15	251A15	400A15	401A15
0 to 400 psi/kPa	150A23	151A23	200A23-125	201A23-125		200A23-250	201A23-250	250A23	251A23	400A23	401A23
0 to 600 psi/kPa	150A16	151A16	200A16-125	201A16-125		200A16-250	201A16-250	250A16	251A16	400A16	401A16
0 to 1 000 psi/kPa	150A17	151A17	200A17-125	201A17-125		200A17-250	201A17-250	250A17	251A17	400A17	401A17
0 to 1 500 psi/kPa								250A18	251A18	400A18	401A18
0 to 2 000 psi/kPa								250A22	251A22	400A22	401A22
0 to 3 000 psi/kPa								250A19	251A19	400A19	401A19
0 to 5 000 psi/kPa										400A20	401A20

Notes

- 1) Back flange for 4 in only. The pressure gauges on this page are dry and non-fillable.
- 2) Other scales, types and models available upon request (+/- 16 weeks delivery).

MULTIPLE PURPOSE PRESSURE GAUGE (CONTINUED)

MODEL A - Lead Free Brass

To order, use the code in the corresponding column

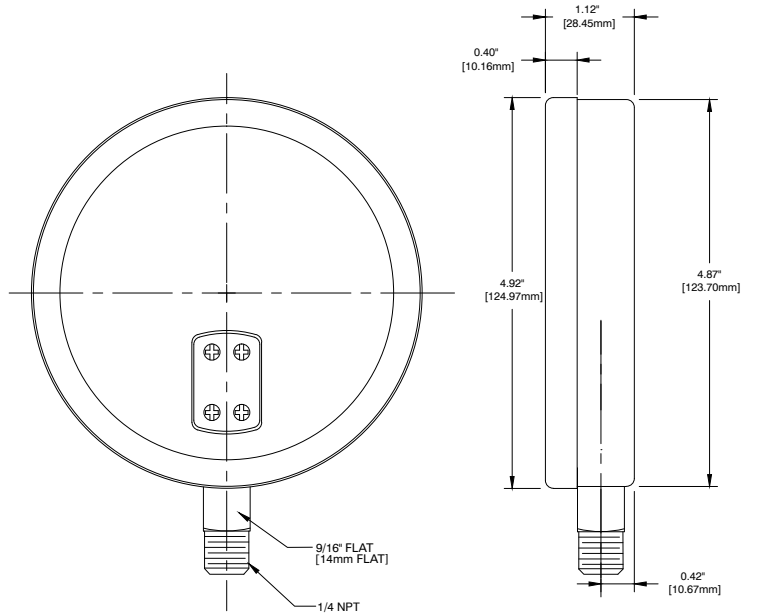
Size	1 1/2 in (40 mm)		2 in (50 mm)				2 1/2 in (63 mm)		4 in (100 mm)		
Case	steel										
LEAD FREE Brass Connection	1/8 in nptm		1/8 in nptm		1/8 in bsptm center back	1/4 in nptm		1/4 in nptm		1/4 in nptm	
	bottom	center back	bottom	center back		bottom	center back	bottom	center back	bottom	center back
Range	Product code										
-30 in Hg to 0 vac/kPa	150A01-X	151A01-X	200A01-125-X	201A01-125-X		200A01-250-X	201A01-250-X	250A01-X	251A01-X	400A01-X	
-30 in Hg to 15 psi/kPa								250A02-X			
-30 in Hg to 30 psi/kPa								250A03-X			
-30 in Hg to 60 psi/kPa								250A04-X			
-30 in Hg to 100 psi/kPa								250A05-X			
-30 in Hg to 160 psi/kPa											
-30 in Hg to 200 psi/kPa											
-30 in Hg to 300 psi/kPa											
0 to 15 psi/kPa	150A09-X	151A09-X	200A09-125-X			200A09-250-X	201A09-250-X	250A09-X	251A09-X	400A09-X	
0 to 30 psi/kPa	150A10-X	151A10-X	200A10-125-X			200A10-250-X	201A10-250-X	250A10-X	251A10-X	400A10-X	
0 to 60 psi/kPa	150A11-X	151A11-X	200A11-125-X			200A11-250-X	201A11-250-X	250A11-X	251A11-X	400A11-X	
0 to 100 psi/kPa	150A12-X	151A12-X	200A12-125-X			200A12-250-X	201A12-250-X	250A12-X	251A12-X	400A12-X	
0 to 160 psi/kPa	150A13-X	151A13-X	200A13-125-X			200A13-250-X	201A13-250-X	250A13-X	251A13-X	400A13-X	
0 to 200 psi/kPa	150A14-X	151A14-X	200A14-125-X			200A14-250-X	201A14-250-X	250A14-X	251A14-X	400A14-X	
0 to 300 psi/kPa	150A15-X	151A15-X	200A15-125-X			200A15-250-X	201A15-250-X	250A15-X	251A15-X	400A15-X	
0 to 400 psi/kPa							201A23-250-X	250A23-X		400A23-X	
0 to 600 psi/kPa								250A16-X	251A16-X	400A16-X	
0 to 1 000 psi/kPa								250A17-X			
0 to 1 500 psi/kPa											
0 to 2 000 psi/kPa											
0 to 3 000 psi/kPa								250A19-X			
0 to 5 000 psi/kPa											

Notes

- 1) Back flange for 4 in only. The pressure gauges on this page are dry and non-fillable.
- 2) Other scales, types and models available upon request (+/- 16 weeks delivery).

CONTRACTOR GAUGE MODEL 450CB

Illustrated model: 450CB



Specifications

Case:	4 ½ in (115 mm), 304 stainless steel
Dial:	White aluminum, psi graduations in black, kPa graduations in blue
Ring:	304 stainless steel
Lens:	Polycarbonate
Pointer:	Anodized black aluminum, recalibrator screw
Connection:	¼ in nptm bottom mount
Wetted parts:	Brass (Std), Lead Free Brass (-X)
Bourdon tube:	Phosphor bronze
Maximum process and ambient temperature:	-40 to 200°F / -40 to 93°C
Recommended pressure:	Maximum 75 % of full scale value
Overpressure limit:	25 % over full scale value
Accuracy:	ASME B40.100(B40.1), Grade 1A ± 1 %
Certification:	Canadian Registration Number (CRN) for all provinces.

CONTRACTOR GAUGE 4 1/2 in
MODEL 450CB

To order, use the code in the corresponding column

Size	4 1/2 in (115 mm)	
Case	304 stainless steel	
Connection	1/4 in nptm bottom Brass	1/4 in nptm bottom Lead Free Brass
Range	Product code	Product code
-30 in Hg to 0 vac/kPa	450CB01	450CB01-X
-30 in Hg to 15 psi/kPa	450CB02	
-30 in Hg to 30 psi/kPa	450CB03	
-30 in Hg to 60 psi/kPa	450CB04	
-30 in Hg to 100 psi/kPa	450CB05	450CB05-X
-30 in Hg to 160 psi/kPa	450CB06	
-30 in Hg to 200 psi/kPa	450CB07	
-30 in Hg to 300 psi/kPa	450CB08	450CB08-X
0 to 15 psi/kPa	450CB09	450CB09-X
0 to 30 psi/kPa	450CB10	450CB10-X
0 to 60 psi/kPa	450CB11	450CB11-X
0 to 100 psi/kPa	450CB12	450CB12-X
0 to 160 psi/kPa	450CB13	450CB13-X
0 to 200 psi/kPa	450CB14	450CB14-X
0 to 300 psi/kPa	450CB15	
0 to 400 psi/kPa	450CB23	
0 to 600 psi/kPa	450CB16	
0 to 1 000 psi/kPa	450CB17	450CB17-X
0 to 1 500 psi/kPa	450CB18	
0 to 2 000 psi/kPa	450CB22	
0 to 3 000 psi/kPa	450CB19	
0 to 5 000 psi/kPa	450CB20	

Notes

- 1) The pressure gauges on this page are dry and non-fillable.
- 2) Other scales, types and models available upon request (+/- 16 weeks delivery).

INDUSTRIAL GAUGE MANUFACTURED AT OUR PLANT
MODELS 450PC6 AND 451PC6

Illustrated model: 450PC6



Illustrated model: 451PC6

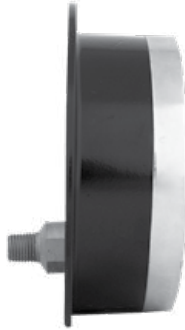
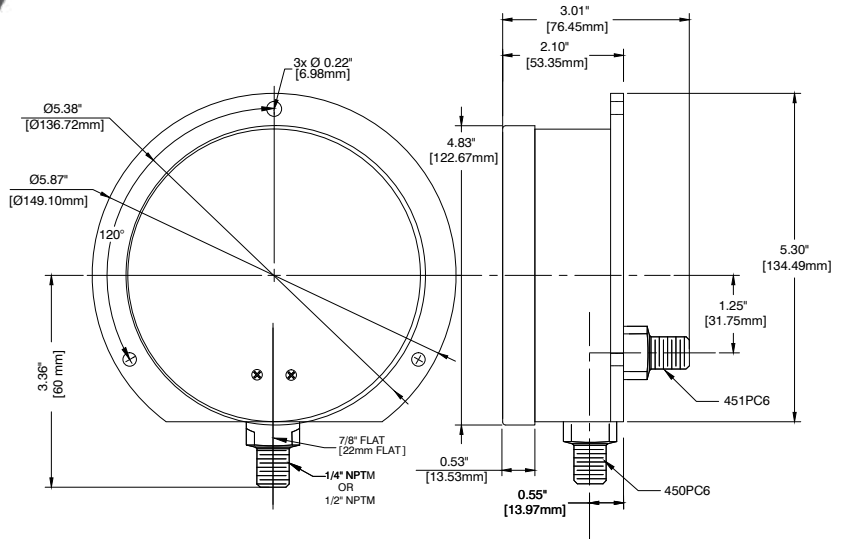


Diagram: 450PC6 and 451PC6



Specifications

Case:	Black molded aluminum, back flange standard, also available without flange with extra
Dial:	4 1/2 in (115 mm), white aluminum background, graduations psi and kPa in black
Ring:	Steel chrome Flated
Lens:	Glass or polycarbonate
Pointer:	Black painted aluminum, adjustable micrometer
Connection:	1/4 or 1/2 in nptm bottom or lower back mount
Wetted parts:	Brass
Bourdon tube:	Phosphor bronze
Maximum process and ambient temperature:	-40 to 200°F / -40 to 93°C
Recommended pressure:	Maximum 75 % of full scale value
Overpressure limit:	25 % over full scale value
Accuracy:	ASME B40.100(B40.1), Grade A ± 1 % also available Grade 2A ± 0.5 %

INDUSTRIEL GAUGE MANUFACTURED AT OUR PLANT (CONTINUED)

MODELS 450PC6 AND 451PC6

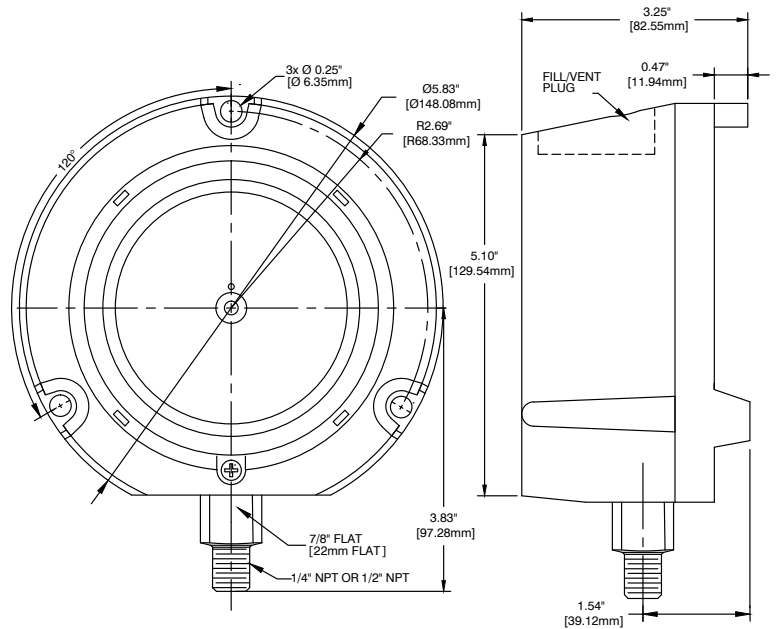
To order, use the code in the corresponding column

Connection	1/4 in nptm	1/2 in nptm	1/4 in nptm	1/2 in nptm
	Brass			
	bottom		lower back	
Range	Product code	Product code	Product code	Product code
-30 in Hg to 0 vac/kPa	450PC6-01-★	450PC6-01-50-★	451PC6-01-★	451PC6-01-50-★
0 to 15 psi/kPa	450PC6-09-★	450PC6-09-50-★	451PC6-09-★	451PC6-09-50-★
0 to 30 psi/kPa	450PC6-10-★	450PC6-10-50-★	451PC6-10-★	451PC6-10-50-★
0 to 60 psi/kPa	450PC6-11-★	450PC6-11-50-★	451PC6-11-★	451PC6-11-50-★
0 to 100 psi/kPa	450PC6-12-★	450PC6-12-50-★	451PC6-12-★	451PC6-12-50-★
0 to 160 psi/kPa	450PC6-13-★	450PC6-13-50-★	451PC6-13-★	451PC6-13-50-★
0 to 200 psi/kPa	450PC6-14-★	450PC6-14-50-★	451PC6-14-★	451PC6-14-50-★
0 to 300 psi/kPa	450PC6-15-★	450PC6-15-50-★	451PC6-15-★	451PC6-15-50-★
0 to 400 psi/kPa	450PC6-23-★	450PC6-23-50-★	451PC6-23-★	451PC6-23-50-★
0 to 600 psi/kPa	450PC6-16-★	450PC6-16-50-★	451PC6-16-★	451PC6-16-50-★
0 to 1 000 psi/kPa	450PC6-17-★	450PC6-17-50-★	451PC6-17-★	451PC6-17-50-★
0 to 2 000 psi/kPa	450PC6-22-★	450PC6-22-50-★	451PC6-22-★	451PC6-22-50-★
Notes				

- 1) ★ For grade A (1%), add the letter "A" at the end of the code. For grade 2A (0.5%), add the letters "AA"
- 2) The pressure gauges on this page are dry and non-fillable.
- 3) Other scales, types and models available upon request (+/- 16 weeks delivery).
- 4) POR: Price on request

PROCESS GAUGE MODELS 450PB AND 450PSS

Illustrated model: 450PB15



Specifications

Case:	4 1/2 in (115 mm), Phenolic black
Dial:	White aluminum with psi graduations in black, kPa in blue
Ring:	Phenolic black
Lens:	Acrylic (Std), Safety glass (-6S)
Pointer:	Black anodized aluminum, micrometer adjustable
Movement:	Overload stop movement (Std), Cushioned movement (-6S)
Seal:	NBR (Std), Viton (-6S)
Connection:	1/4 or 1/2 in nptm bottom or lower back mount
Wetted parts:	Brass for PB / 316 stainless steel for PSS
Bourdon tube:	Phosphor bronze for PB / 316 stainless steel for PSS
Ambient temperature:	-40 to 200°F / -40 to 93°C (For dry gauge)
Maximum process temperature:	-40 to 200°F / -40 to 93°C (dry) -4 to 200°F / -20 to 93°C (Glycerin) -40 to 200°F / -40 to 93°C (Silicone) + 200°F / +93°C (Consult Pitanco Precision)
Recommended pressure:	Maximum 75 % of full scale value
Overpressure limit:	25 % over full scale value
Accuracy:	ASME B40.100(B40.1), Grade 2A ± 0,5 %
Certification:	Canadian Registration Number (CRN) for all provinces.

PROCESS GAUGE (CONTINUED)

MODELS 450PB AND 450PSS

To order, use the code in the corresponding column

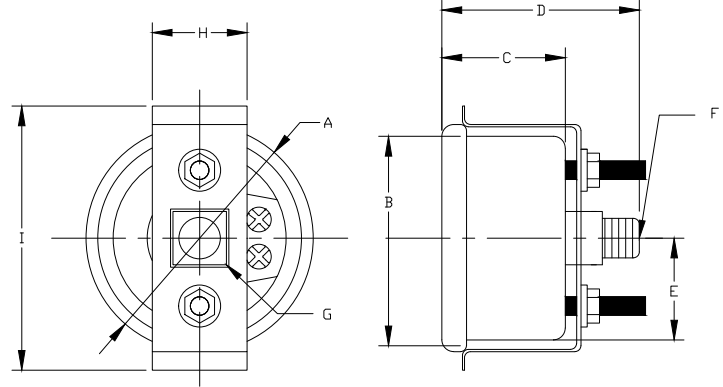
Size	4 1/2 in (115 mm)		
Case	Phenolic black		
Connection	1/4 in nptm		1/2 in nptm
	Brass bottom	316 Stainless Steel bottom	
Range	Product code	Product code	Productcode
-30 in Hg to 0 vac/kPa	450PB01	450PSS01	450PSS01-50
-30 in Hg to 15 psi/kPa	450PB02	450PSS02	450PSS02-50
-30 in Hg to 30 psi/kPa	450PB03	450PSS03	450PSS03-50
-30 in Hg to 60 psi/kPa	450PB04	450PSS04	450PSS04-50
-30 in Hg to 100 psi/kPa	450PB05	450PSS05	450PSS05-50
-30 in Hg to 160 psi/kPa	450PB06	450PSS06	450PSS06-50
-30 in Hg to 200 psi/kPa	450PB07	450PSS07	450PSS07-50
-30 in Hg to 300 psi/kPa	450PB08	450PSS08	450PSS08-50
0 to 15 psi/kPa	450PB09	450PSS09	450PSS09-50
0 to 30 psi/kPa	450PB10	450PSS10	450PSS10-50
0 to 60 psi/kPa	450PB11	450PSS11	450PSS11-50
0 to 100 psi/kPa	450PB12	450PSS12	450PSS12-50
0 to 160 psi/kPa	450PB13	450PSS13	450PSS13-50
0 to 200 psi/kPa	450PB14	450PSS14	450PSS14-50
0 to 300 psi/kPa	450PB15	450PSS15	450PSS15-50
0 to 400 psi/kPa	450PB23	450PSS23	450PSS23-50
0 to 600 psi/kPa	450PB16	450PSS16	450PSS16-50
0 to 1 000 psi/kPa	450PB17	450PSS17	450PSS17-50
0 to 1 500 psi/kPa	450PB18		450PSS18-50
0 to 2 000 psi/kPa	450PB22		450PSS22-50
0 to 3 000 psi/kPa			450PSS19-50
0 to 5 000 psi/kPa			450PSS20-50
0 to 6 000 psi/kPa			450PSS25-50
0 to 10 000 psi/kPa			450PSS21-50
0 to 15 000 psi/kPa			450PSS26-50

Notes

- 1) The pressure gauges on this page are dry but fillable. (see page G41)
- 2) Other scales, types and models available upon request (+/- 16 weeks delivery).

ALL PURPOSE PANEL MOUNT PRESSURE GAUGE MODEL PA

Illustrated model: PA



Specifications

Case:	Steel Flated black complete with U-clamp
Dial:	White aluminum with psi graduations in black and kPa in blue
Ring:	304 stainless steel crimped
Lens:	Plastic
Pointer:	Steel painted black
Connection:	1/8 in or 1/4 in nptm center back (see chart)
Wetted Parts:	Brass
Bourdon tube:	Phosphor bronze
Maximum process and ambient temperature:	-40 to 200°F / -40 to 93°C
Recommended pressure:	Maximum 75 % of full scale value
Overpressure limit:	25 % over full scale value
Accuracy:	ASME B40.100(B40.1), Grade B ± 2 %
Certification:	Canadian Registration Number (CRN) for all provinces.

To order, use the code in the corresponding column

Size	1 1/2 in (40 mm)	2 in (50 mm)		2 1/2 in (63 mm)
Connection	1/8 in nptm center back, Brass		1/4 in nptm center back, Brass	
Range	Product code	Product code	Product code	Product code
-30 in Hg to 0 vac/kPa	PA151UC01	PA201UC01-125	PA201UC01-250	PA251UC01
0 to 15 psi/kPa	PA151UC09	PA201UC09-125	PA201UC09-250	PA251UC09
0 to 30 psi/kPa	PA151UC10	PA201UC10-125	PA201UC10-250	PA251UC10
0 to 60 psi/kPa	PA151UC11	PA201UC11-125	PA201UC11-250	PA251UC11
0 to 100 psi/kPa	PA151UC12	PA201UC12-125	PA201UC12-250	PA251UC12
0 to 160 psi/kPa	PA151UC13	PA201UC13-125	PA201UC13-250	PA251UC13
0 to 200 psi/kPa	PA151UC14	PA201UC14-125	PA201UC14-250	PA251UC14
0 to 300 psi/kPa	PA151UC15	PA201UC15-125	PA201UC15-250	PA251UC15
0 to 3 000 psi/kPa	PA151UC19			
0 to 6 000 psi/kPa	PA151UC25			

Dimensions as per diagram

Model	A	B	C	D	E	F	G	H	I
PA151UC	1,84 in (46,74 mm)	1,62 in (41,15 mm)	1,12 in (28,58 mm)	1,75 in (44,20 mm)	0,98 in (25 mm)	1/8 npt	0,42 in (10,67 mm)	0,78 in (19,81 mm)	2,20 in (55,88 mm)
PA201UC-125	2,30 in (58,42 mm)	2,06 in (52,37 mm)	1,25 in (31,75 mm)	2,0 in (50,80 mm)	1,38 in (34,93 mm)	1/8 npt	0,54 in (13,72 mm)	0,96 in (24,38 mm)	2,68 in (67,95 mm)
PA201UC-250	2,30 in (58,42 mm)	2,06 in (52,37 mm)	1,25 in (31,75 mm)	2,0 in (50,80 mm)	1,38 in (34,93 mm)	1/4 npt	0,54 in (13,72 mm)	0,96 in (24,38 mm)	2,68 in (67,95 mm)
PA251UC	2,63 in (66,68 mm)	2,45 in (62,33 mm)	1,2 in (30,48 mm)	1,96 in (49,78 mm)	1,38 in (34,93 mm)	1/4 npt	0,54 in (13,72 mm)	0,96 in (24,38 mm)	2,93 in (74,42 mm)

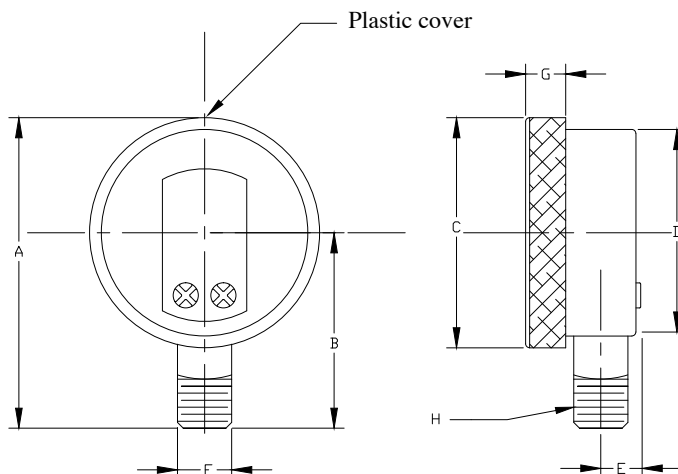
Notes

- 1) The pressure gauges on this page are dry and non-fillable.
- 2) Other scales, types and models available upon request (+/- 16 weeks delivery).

WELDING GAUGE MODELS WB AND WSS



Illustrated model: WB



Specifications

Case:	Polished brass for WB, 316 stainless steel for WSS
Dial:	White aluminum with psi graduations in black and bar in blue with pictogram "use no oil"
Lens:	Screw-on plexiglass
Pointer:	Steel painted black
Connection:	¼ in nptm bottom, Brass for WB ¼ in nptm bottom, 316 Stainless Steel for WSS
Wetted parts:	Brass for WB, 316 Stainless Steel for WSS
Bourdon tube:	Phosphor bronze for WB, 316 Stainless Steel for WSS
Maximum process and ambient temperature:	-40 to 200°F / -40 to 93°C
Recommended pressure:	Maximum 75 % of full scale value
Overpressure limit:	25 % over full scale value
Accuracy:	ASME B40.100(B40.1), Grade B ± 2%
Certification:	Canadian Registration Number (CRN) for all provinces.

To order, use the code in the corresponding column

Size	2 in (50 mm)		2 1/2 in (63 mm)	
	1/4 in nptm bottom			
Connection				
Material	Brass	316 Stainless Steel	Brass	316 Stainless Steel
Range	Product code	Product code	Product code	Product code
0 to 30 psi/bar	200WB-10B	200WSS316-10B	250WB-10B	250WSS316-10B
			250WB-10B-Z	250WSS316-10B-Z
0 to 100 psi/bar	200WB-12B	200WSS316-12B	250WB-12B	250WSS316-12B
0 to 200 psi/bar	200WB-14B	200WSS316-14B	250WB-14B	250WSS316-14B
0 to 400 psi/bar	200WB-23B	200WSS316-23B	250WB-23B	250WSS316-23B
0 to 1 000 psi/bar	200WB-17B	200WSS316-17B	250WB-17B	250WSS316-17B
0 to 4 000 psi/bar	200WB-28B	200WSS316-28B	250WB-28B	250WSS316-28B
0 to 5 000 psi/bar	200WB-20B	200WSS316-20B	250WB-20B	250WSS316-20B

Dimensions as per diagram

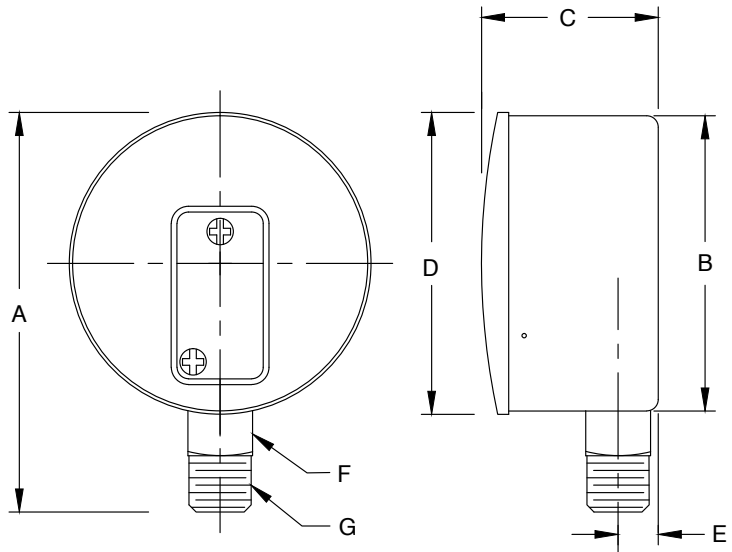
Model	A	B	C	D	E	F	G	H
200WB/200WSS316	3,05 in (77,47 mm)	1,90 in (48,26 mm)	2,3 in (58,29 mm)	2,06 in (52,32 mm)	0,35 in (8,89 mm)	0,54 in (13,74 mm)	0,4 in (10,16 mm)	¼ npt
250WB/250WSS316	3,73 in (94,74 mm)	2,31 in (58,67 mm)	2,83 in (71,82 mm)	2,62 in (66,55 mm)	0,4 in (10,16 mm)	0,54 in (13,74 mm)	0,4 in (10,16 mm)	¼ npt

Notes

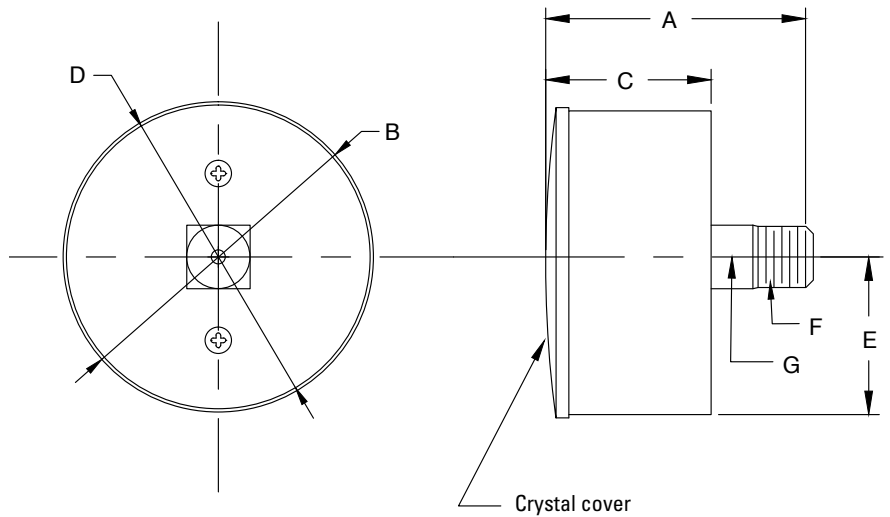
- 1) The pressure gauges on this page are dry and non-fillable. 2) Pressure gauges already degreased for immediate use.
- 3) Other scales, types and models available upon request (+/- 16 weeks delivery).
- 4) -Z: Model with graduation scale in red from 15 to 30 psi / bar

LOW PRESSURE GAUGE MODELS LPB AND LPSS

Illustrated model: 250LPB15WO



Illustrated model: 251LPB

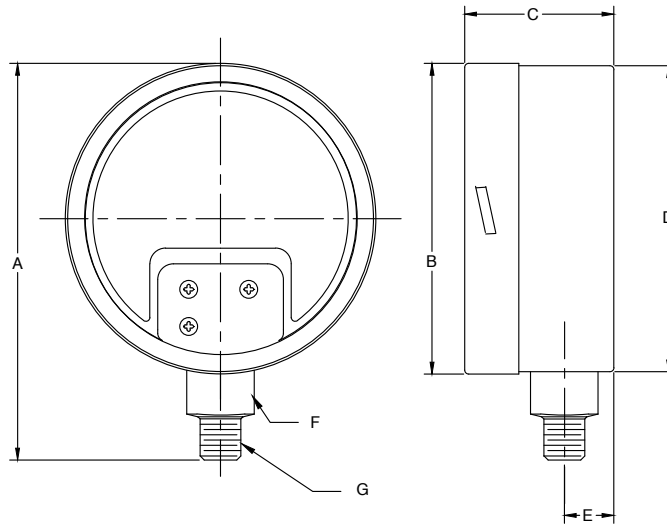


Specifications

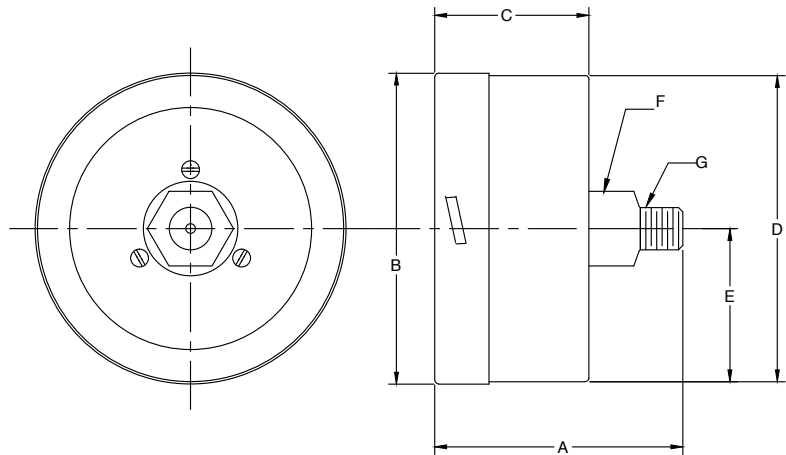
Case:	Steel, painted black for LPB / 304 stainless steel for LPSS
Dial:	White aluminum, with H ₂ O or psi graduations in black, oz or kPa in blue
Ring and lens:	Snap-in polycarbonate for 2 ½ in (63 mm), 304 stainless steel bayonet and polycarbonate lens for 4 in (100 mm)
Pointer:	Aluminum, painted black
Connection:	¼ in nptm bottom or center back. brass for LPB / 316 stainless steel for LPSS
Wetted parts:	Brass for LPB / 316 Stainless Steel for LPSS
Capsule diaphragm:	Phosphor bronze for LPB / Stainless Steel for LPSS
Ambient temperature:	-40 to 200°F / -40 to 93°C
Recommended pressure:	Maximum 75 % of full scale value
Surpression limite:	25% over full scale value.
Accuracy:	ASME B40.100(B40.1), Grade B ± 2 %
Certification:	Canadian Registration Number (CRN) for all provinces.

LOW PRESSURE GAUGE (CONTINUED)
MODELS LPB AND LPSS

MODEL: 400LPSS



MODEL: 401LPSS



Dimensions as per diagram

Model	Ø	Connection	A	B	C	D	E	F	G
250LPB	2,5 in	bottom	3,45 in	2,63 in	1,55 in	2,57 in	0,33 in	9/16 flat	¼ in npt
	(63 mm)		(87,6 mm)	(66,1 mm)	(39,4 mm)	(65,2 mm)	(8,4 mm)	(14 mm)	
250LPSS	2,5 in	bottom	3,57 in	2,63 in	1,55 in	2,57 in	0,33 in	9/16 flat	¼ in npt
	(63 mm)		(90,7 mm)	(66,1 mm)	(39,4 mm)	(65,2 mm)	(8,4 mm)	(14 mm)	
251LPB	2,5 in	center back	2,44 in	2,63 in	1,55 in	2,57 in	1,29 in	9/16 flat	¼ in npt
	(63 mm)		(62 mm)	(66,1 mm)	(39,4 mm)	(65,2 mm)	(32,8 mm)	(14 mm)	
251LPSS	2,5 in	center back	2,36 in	2,63 in	1,55 in	2,57 in	1,26 in	9/16 flat	¼ in npt
	(63 mm)		(59,9 mm)	(66,1 mm)	(39,4 mm)	(65,2 mm)	(32 mm)	(14 mm)	
400LPSS	4 in	bottom	5,05 in	3,96 in	1,94 in	3,98 in	1,63 in	7/8 flat	¼ in npt
	(100 mm)		(128 mm)	(99 mm)	(49,2 mm)	(101 mm)	(41,4 mm)	(22,2 mm)	
401LPSS	4 in	center back	3,19 in	3,96 in	1,94 in	3,98 in	1,63 in	15/16 in hex	¼ in npt
	(100 mm)		(81 mm)	(99 mm)	(49,2 mm)	(101 mm)	(41,4 mm)	(24,2 mm)	

LOW PRESSURE GAUGE 2 1/2 in (CONTINUED)
MODELS LPB AND LPSS

To order, use the code in the corresponding column

Size	2 1/2 in (63 mm)	
Case	steel	
Connection	1/4 in nptm Brass bottom	1/4 in nptm Brass center back
Range	Product code	Product code
0 to 15 in H ₂ O (vacuum)	250LPB-15WV	251LPB-15WV
0 to 32 in H ₂ O (vacuum)	250LPB-32WV	251LPB-32WV
0 to 55 in H ₂ O (vacuum)	250LPB-55WV	251LPB-55WV
0 to 100 in H ₂ O (vacuum)	250LPB-100WV	251LPB-100WV
0 to 200 in H ₂ O (vacuum)	250LPB-200WV	
0 to 300 in H ₂ O (vacuum)		251LPB-300WV
0 to 15 in H ₂ O/oz (pressure)	250LPB-15WO	251LPB-15WO
0 to 32 in H ₂ O/oz (pressure)	250LPB-32WO	251LPB-32WO
0 to 55 in H ₂ O/oz (pressure)	250LPB-55WO	251LPB-55WO
0 to 100 in H ₂ O/oz (pressure)	250LPB-100WO	251LPB-100WO
0 to 200 in H ₂ O/oz (pressure)	250LPB-200WO	251LPB-200WO
0 to 5 psi/kPa (pressure)	250LPB-5PSI	251LPB-5PSI
0 to 10 psi/kPa (pressure)	250LPB-10PSI	251LPB-10PSI
37 Mbar (WO) (pressure)		251LPB-37Mb
150 Mbar (vacuum)		251LPB-150Mb

Notes

- 1) The pressure gauges on this page are dry and non-fillable.
- 2) Other scales, types and models available upon request (+/- 16 weeks delivery).

LOW PRESSURE GAUGE STAINLESS STEEL (CONTINUED)
MODELS LPB AND LPSS

To order, use the code in the corresponding column

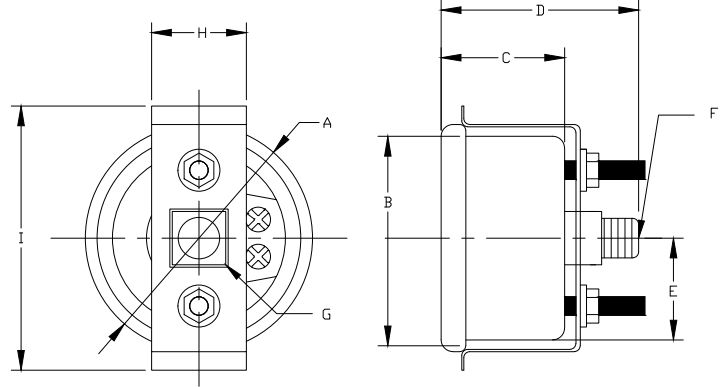
Size	2 1/2 in (63 mm)		4 in (100 mm)	
Case	304 stainless steel			
Connection	1/4 in nptm			
	bottom	center back	bottom	center back
	316 Stainless Steel			
Range	Product code	Product code	Product code	Product code
0 to 15 in H ₂ O (vacuum)	250LPSS-15WV	251LPSS-15WV	400LPSS-15WV	401LPSS-15WV
0 to 32 in H ₂ O (vacuum)	250LPSS-32WV	251LPSS-32WV	400LPSS-32WV	401LPSS-32WV
0 to 55 in H ₂ O (vacuum)	250LPSS-55WV	251LPSS-55WV	400LPSS-55WV	401LPSS-55WV
0 to 100 in H ₂ O (vacuum)	250LPSS-100WV	251LPSS-100WV	400LPSS-100WV	401LPSS-100WV
0 to 200 in H ₂ O (vacuum)	250LPSS-200WV			
0 to 15 in H ₂ O/oz (pressure)	250LPSS-15WO	251LPSS-15WO	400LPSS-15WO	401LPSS-15WO
0 to 32 in H ₂ O/oz (pressure)	250LPSS-32WO	251LPSS-32WO	400LPSS-32WO	401LPSS-32WO
0 to 55 in H ₂ O/oz (pressure)	250LPSS-55WO	251LPSS-55WO	400LPSS-55WO	401LPSS-55WO
0 to 100 in H ₂ O/oz (pressure)	250LPSS-100WO	251LPSS-100WO	400LPSS-100WO	401LPSS-100WO
0 to 200 in H ₂ O/oz (pressure)	250LPSS-200WO			
-5 to 5 psi/kPa	250LPSS-COMP-5			
0 to 5 psi/kPa (pressure)	250LPSS-5PSI	251LPSS-5PSI	400LPSS-5PSI	401LPSS-5PSI
0 to 10 psi/kPa (pressure)	250LPSS-10PSI	251LPSS-10PSI	400LPSS-10PSI	401LPSS-10PSI
160 Mbar (pressure)	250LPSS-160MB			
400 Mbar (pressure)	250LPSS-400MB			
-4 to 6 kPa (compound)			400LPSS-4/6KPA	

Notes

- 1) The pressure gauges on this page are dry and non-fillable.
- 2) Other scales, types and models available upon request (+/- 16 weeks delivery).

LOW PRESSURE GAUGE FOR PANEL MOUNTING MODEL LPB-UC

Illustrated model: LPB-UC



Specifications

Case:	Black Flated steel with U-clamp
Dial:	White aluminum with psi graduations in black, kPa in blue
Lid and lens:	Screwed polycarbonate
Pointer:	Steel painted black
Connection:	1/4 in nptm center back
Wetted parts:	Brass
Bourdon tube:	Phosphor bronze
Maximum process and ambient temperature:	-40 to 200°F / -40 to 93°C
Recommended pressure:	Maximum 75 % of full scale value
Overpressure limit:	25 % over full scale value
Accuracy:	ASME B40.100(B40.1), Grade B ± 2 %
Certification:	Canadian Registration Number (CRN) for all provinces.

To order, use the code in the corresponding column

Size	1 1/2 in (40 mm)	2 in (50 mm)	2 1/2 in (63 mm)
Connection	1/8 in nptm center back, Brass		1/4 in nptm center back, Brass
Range	Product code		
0 to 15 in H ₂ O (pressure)			251LPB-15W0-UC
0 to 32 in H ₂ O (pressure)			251LPB-32W0-UC
0 to 55 in H ₂ O (pressure)			251LPB-55W0-UC
0 to 100 in H ₂ O (pressure)			251LPB-100W0-UC
5 psi/kPa (pressure)			251LPB-5PSI-UC
10 psi/kPa (pressure)			251LPB-10PSI-UC
0 to 55 in H ₂ O (vacuum)			251LPB-55WV-UC

Dimensions as per diagram

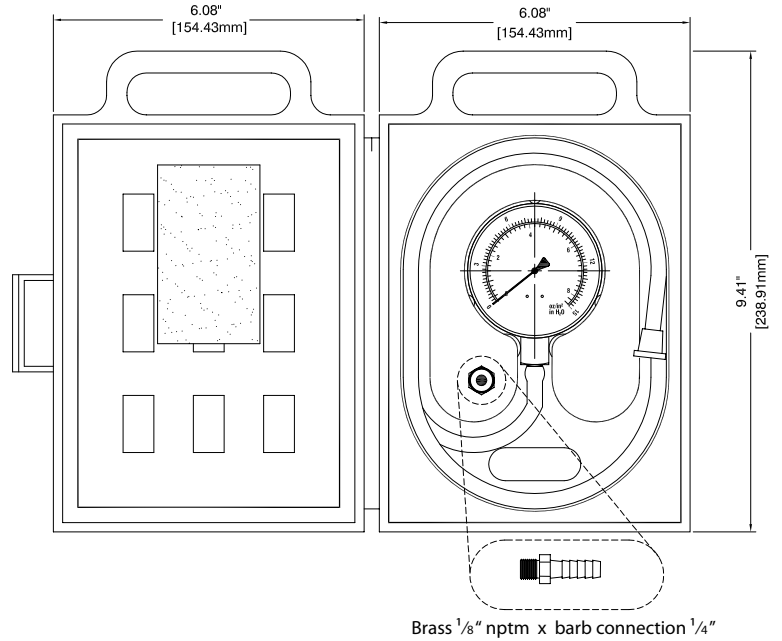
Model	A	B	C	D	E	F	G	H	I
LPB-UC	2,86 in (72,6 mm)	2,60 in (65,86 mm)	1,50 in (38,34 mm)	2,5 in (63,65 mm)	1,24 in (31,39 mm)	1/4 npt	0,55 in (14,07 mm)	1,00 in (25,60 mm)	2,75 in (69,87 mm)

Notes

- 1) The pressure gauges on this page are dry and non-fillable..
- 2) Other scales, types and models available upon request (+/- 16 weeks delivery).

PORTABLE LOW PRESSURE TEST KIT MODEL TKLP

Illustrated model: TKLP



Specifications

Case:	Steel, painted black
Dial:	2 1/2 in (63 mm) white aluminum with oz/in ² or kPa graduations in black, H ₂ O in blue
Lens:	Snap-in polycarbonate
Pointer:	Aluminium, painted black
Zero clearing:	Screw located on back of gauge
Connection:	1/4 in brass hose barb, Brass
Wetted parts:	Brass
Capsule diaphragm:	Phosphor bronze
Maximum process and ambient temperature:	-40 to 200°F / -40 to 93°C
Accuracy:	ASME B40.100(B40.1), Grade 1A ± 1 %

Case specifications

Material:	Blue or black injection molded plastic with integral handle
Hose tube:	Latex rubber 3 ft (91 cm) length, 0.197 (5 mm) in inside diameter x 0.315 in (8 mm) outside diameter
Hose end-connection:	Latex rubber 0.390 in inside diameter (9.92 mm) x 0.660 in outside diameter (16.77 mm) x 0.545 in long (13.86 mm)
Hose adapter:	Brass, 1/8 in nptm x 1/4 in hose barb

To order, use the code in the corresponding column

Range / Pressure	Product code
0 to 15 in H ₂ O / 0 to 4 kPa	TKLP250-15
0 to 35 in H ₂ O / 0 to 20 oz/po ²	TKLP250-35
0 to 100 in H ₂ O / 0 to 58 oz/po ²	TKLP250-100

Notes

1) Other scales, types and models available upon request (+/- 16 weeks delivery).

GLYCERIN FILLED INDUSTRIAL PRESSURE GAUGE MODEL LFB

Illustrated model: 250LFB10



Illustrated model: 251LFB19



Diagram: LFB Bottom 1,5, 2,5 and 4 in

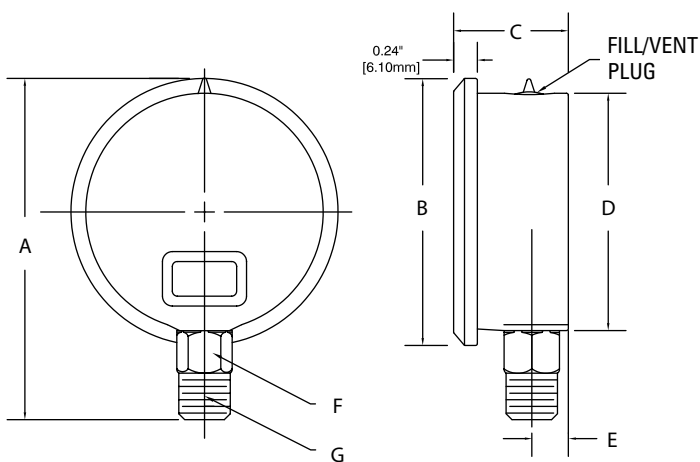
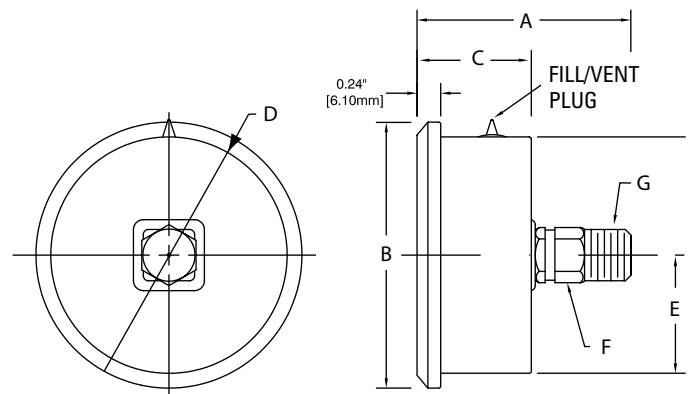


Diagram: LFB Center back 1,5 and 2,5 in



Specifications

Case:	304 stainless steel
Dial:	White aluminum with psi graduations in black and kPa graduations in blue
Ring:	304 stainless steel, hermetically sealed or bayonet style (model BAY)
Lens:	Polycarbonate
Pointer:	Anodized black aluminum
Connection:	1 1/2 in (40 mm) 1/8 in nptm bottom or center back, 2 1/2 in (63 mm) 1/4 in nptm bottom or center back, 4 in (100 mm) 1/4 in nptm bottom or lower back
Wetted parts:	Brass (Std), Lead Free Brass (-X)
Bourdon tube:	Phosphor bronze (Std), Lead Free Brass (-X)
Ambient temperature:	-40 to 200°F / -40 to 93°C (For dry gauge)
Maximum process temperature:	-40 to 200°F / -40 to 93°C (dry) -4 to 200°F / -20 to 93°C (Glycerin) -40 to 200°F / -40 to 93°C (Silicone) + 200°F / +93°C (Consult Pitanco Precision)
Recommended pressure:	Maximum 75 % of full scale value
Overpressure limit:	25 % over full scale value
Accuracy:	ASME B40.100(B40.1), Grade B ±2%
Certification:	Canadian Registration Number (CRN) for all provinces.

GLYCERIN FILLED INDUSTRIAL PRESSURE GAUGE (CONTINUED) MODEL LFB

Illustrated model: 401LFB15



Illustrated model: 250LFB14BAY

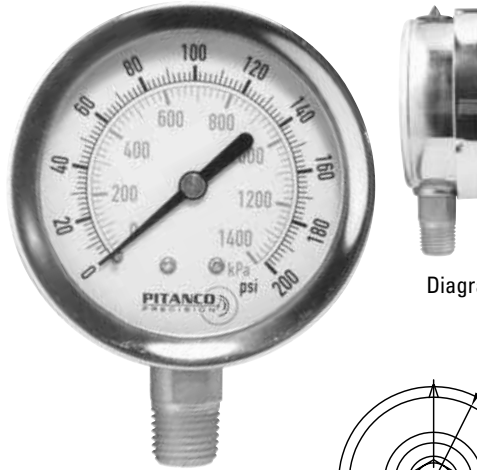


Diagram: 251LFBAY Center back

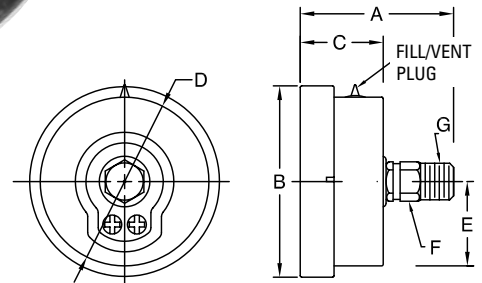


Diagram: LFB LOWER BACK 4 in

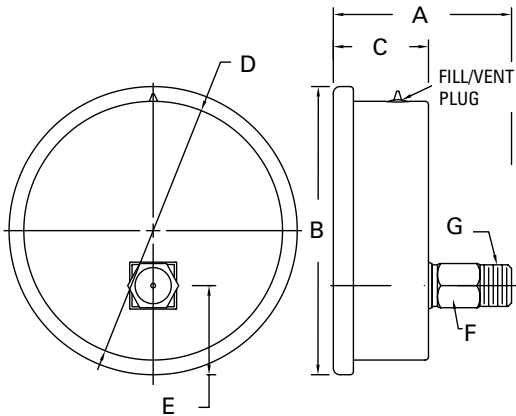
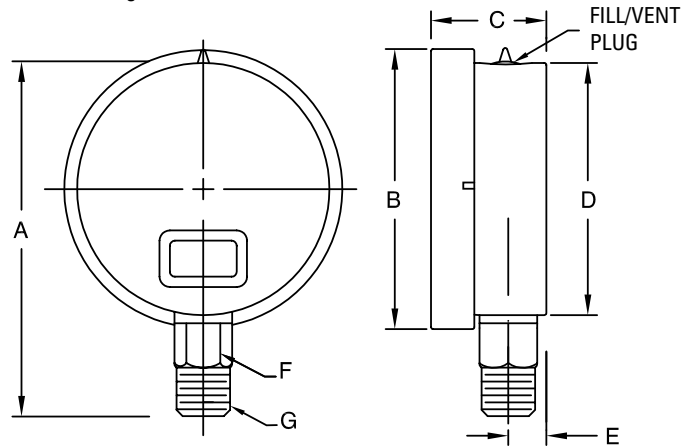


Diagram: LFBAY BOTTOM 2,5 and 4 in



Dimensions as per diagram

Ø	Connection	A	B	C	D	E	F	G
1,5 in (40 mm) hermetic	bottom	2,43 in (61,7 mm)	1,84 in (46,7 mm)	1 in (25,4 mm)	1,6 in (40,6 mm)	0,30 in (7,6 mm)	7/16 hex. (11 mm)	1/8 in nptm
	center back	1,75 in (44,5 mm)	1,84 in (46,7 mm)	1 in (25,4 mm)	1,6 in (40,6 mm)	0,8 in (20,3 mm)	7/16 hex. (11 mm)	1/8 in nptm
2,5 in (63 mm) hermetic	bottom	3,45 in (87,6 mm)	2,7 in (68,5 mm)	1,16 in (29,4 mm)	2,4 in (60,9 mm)	0,37 in (9,4 mm)	9/16 hex. (14 mm)	1/4 in nptm
	center back	2,16 in (54,9 mm)	2,7 in (68,5 mm)	1,16 in (29,4 mm)	2,4 in (60,9 mm)	1,2 in (31 mm)	9/16 hex. (14 mm)	1/4 in nptm
2,5 in (63 mm) bayonet	bottom	3,45 in (87,6 mm)	2,74 in (69 mm)	1,18 in (30 mm)	2,4 in (60,9 mm)	0,37 in (9,4 mm)	9/16 hex. (14 mm)	1/4 in nptm
	center back	2,12 in (54,9 mm)	2,74 in (69 mm)	1,18 in (30 mm)	2,4 in (60,9 mm)	1,22 in (31 mm)	9/16 hex. (14 mm)	1/4 in nptm
4 in (100 mm) hermetic	bottom	5,26 in (133,7 mm)	4,3 in (109,2 mm)	1,42 in (36 mm)	3,86 in (98 mm)	0,50 in (12,7 mm)	11/16 hex. (17 mm)	1/4 in nptm
	lower back	2,66 in (67,5 mm)	4,3 in (109,2 mm)	1,42 in (36 mm)	3,86 in (98 mm)	1,33 in (33,8 mm)	11/16 hex. (17 mm)	3/8 bspp
4 in (100 mm) bayonet	bottom	5,31 in (109,2 mm)	4,3 in (109,2 mm)	1,53 in (38,9 mm)	3,90 in (99 mm)	0,50 in (12,7 mm)	11/16 hex. (17 mm)	1/4 in nptm
	lower back	2,66 in (67,5 mm)	4,3 in (109,2 mm)	1,53 in (38,9 mm)	3,90 in (99 mm)	1,33 in (33,8 mm)	11/16 hex. (17 mm)	1/4 in nptm

GLYCERIN FILLED INDUSTRIAL PRESSURE GAUGE (CONTINUED)

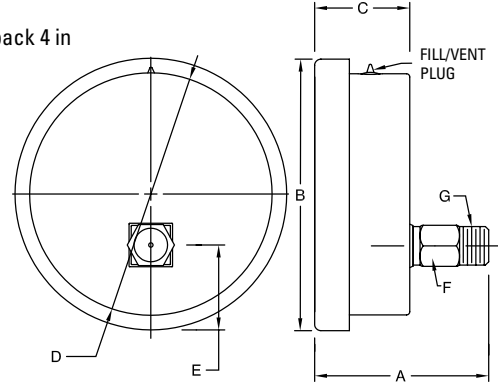
MODEL LFB

To order, use the code in the corresponding column

Illustrated model: 401LFB19BAY



Diagram: LFB Lower back 4 in



Size	1 1/2 in (40 mm)		2 1/2 in (63 mm)				4 in (100 mm)			
Case	304 stainless steel									
Brass connection	1/8 in nptm		1/4 in nptm		1/4 in nptm		1/4 in nptm		1/4 in nptm	
	bottom	center back	bottom	center back	bottom	center back	bottom	lower back	bottom	lower back
Ring	hermetic		hermetic		bayonet		hermetic		bayonet	
Range	Product code									
-30 in Hg to 0 vac/kPa	150LFB01	151LFB01	250LFB01*	251LFB01*	250LFB01BAY*	251LFB01BAY*	400LFB01	401LFB01	400LFB01BAY	401LFB01BAY
-30 in Hg to 15 psi/kPa			250LFB02*	251LFB02*	250LFB02BAY*	251LFB02BAY*	400LFB02	401LFB02		401LFB02BAY
-30 in Hg to 30 psi/kPa			250LFB03	251LFB03	250LFB03BAY	251LFB03BAY	400LFB03	401LFB03		401LFB03BAY
-30 in Hg to 60 psi/kPa			250LFB04	251LFB04	250LFB04BAY	251LFB04BAY	400LFB04	401LFB04		
-30 in Hg to 100 psi/kPa			250LFB05	251LFB05	250LFB05BAY	251LFB05BAY	400LFB05	401LFB05		
-30 in Hg to 160 psi/kPa			250LFB06	251LFB06	250LFB06BAY	251LFB06BAY	400LFB06	401LFB06		
-30 in Hg to 200 psi/kPa			250LFB07	251LFB07	250LFB07BAY	251LFB07BAY	400LFB07	401LFB07		
-30 in Hg to 300 psi/kPa			250LFB08	251LFB08	250LFB08BAY	251LFB08BAY	400LFB08	401LFB08		
0 to 15 psi/kPa	150LFB09	151LFB09	250LFB09*	251LFB09*	250LFB09BAY*	251LFB09BAY*	400LFB09	401LFB09	400LFB09BAY	401LFB09BAY
0 to 30 psi/kPa	150LFB10	151LFB10	250LFB10	251LFB10	250LFB10BAY	251LFB10BAY	400LFB10	401LFB10	400LFB10BAY	401LFB10BAY
0 to 60 psi/kPa	150LFB11	151LFB11	250LFB11	251LFB11	250LFB11BAY	251LFB11BAY	400LFB11	401LFB11	400LFB11BAY	401LFB11BAY
0 to 100 psi/kPa	150LFB12	151LFB12	250LFB12	251LFB12	250LFB12BAY	251LFB12BAY	400LFB12	401LFB12	400LFB12BAY	401LFB12BAY
0 to 160 psi/kPa	150LFB13	151LFB13	250LFB13	251LFB13	250LFB13BAY	251LFB13BAY	400LFB13	401LFB13	400LFB13BAY	401LFB13BAY

Notes

- 1) * 1 piece block. 2) The gauges on this page are filled with glycerin. Drying and other liquids available upon request (see page G41).
 3) Other scales, types and models available upon request (+/- 16 weeks delivery).

Continued on next page ↘

GLYCERIN FILLED INDUSTRIAL PRESSURE GAUGE (CONTINUED)
MODEL LFB

To order, use the code in the corresponding column

Size	1 1/2 in (40 mm)		2 1/2 in (63 mm)				4 in (100 mm)			
Case	304 stainless steel									
Brass connection	1/8 in nptm		1/4 in nptm		1/4 in nptm		1/4 in nptm		1/4 in nptm	
	bottom	center back	bottom	center back	bottom	center back	bottom	lower back	bottom	lower back
Ring	hermetic		hermetic		bayonet		hermetic		bayonet	
Range	Product code									
0 to 200 psi/kPa	150LFB14	151LFB14	250LFB14	251LFB14	250LFB14BAY	251LFB14BAY	400LFB14	401LFB14	400LFB14BAY	401LFB14BAY
0 to 300 psi/kPa	150LFB15	151LFB15	250LFB15	251LFB15	250LFB15BAY	251LFB15BAY	400LFB15	401LFB15	400LFB15BAY	401LFB15BAY
0 to 400 psi/kPa	150LFB23	151LFB23	250LFB23	251LFB23	250LFB23BAY	251LFB23BAY	400LFB23	401LFB23	400LFB23BAY	401LFB23BAY
0 to 600 psi/kPa	150LFB16	151LFB16	250LFB16	251LFB16	250LFB16BAY	251LFB16BAY	400LFB16	401LFB16	400LFB16BAY	401LFB16BAY
0 to 1 000 psi/kPa	150LFB17	151LFB17	250LFB17*	251LFB17*	250LFB17BAY*	251LFB17BAY*	400LFB17	401LFB17	400LFB17BAY	401LFB17BAY
0 to 1 500 psi/kPa			250LFB18*	251LFB18*	250LFB18BAY*	251LFB18BAY*	400LFB18	401LFB18	400LFB18BAY	401LFB18BAY
0 to 2 000 psi/kPa	150LFB22	151LFB22	250LFB22*	251LFB22*	250LFB22BAY*	251LFB22BAY*	400LFB22	401LFB22	400LFB22BAY	401LFB22BAY
0 to 3 000 psi/kPa	150LFB19	151LFB19	250LFB19*	251LFB19*	250LFB19BAY*	251LFB19BAY*	400LFB19	401LFB19	400LFB19BAY	401LFB19BAY
0 to 4 000 psi/kPa			250LFB28*	251LFB28*	250LFB28BAY*	251LFB28BAY*	400LFB28	401LFB28	400LFB28BAY	401LFB28BAY
0 to 5 000 psi/kPa		151LFB20	250LFB20*	251LFB20*	250LFB20BAY*	251LFB20BAY*	400LFB20	401LFB20	400LFB20BAY	401LFB20BAY
0 to 6 000 psi/kPa			250LFB25*	251LFB25*	250LFB25BAY*	251LFB25BAY*	400LFB25	401LFB25	400LFB25BAY	401LFB25BAY
0 to 10 000 psi/kPa			250LFB21*	251LFB21*	250LFB21BAY*	251LFB21BAY*	400LFB21	401LFB21	400LFB21BAY-50* ²	401LFB21BAY-50* ²
0 to 15 000 psi/kPa			250LFB26*	251LFB26*	250LFB26BAY*	251LFB26BAY*	400LFB26	401LFB26	400LFB26BAY-50	401LFB26BAY-50

Notes

- 1) * 1 piece block.
- 2) *2 Available with 1/2 in nptm connection only
- 3) The gauges on this page are filled with glycerin. Drying and other liquids available upon request (see page G41).
- 4) Other scales, types and models available upon request (+/- 16 weeks delivery).

GLYCERIN FILLED INDUSTRIAL PRESSURE GAUGE (CONTINUED)

MODEL LFB - Lead Free Brass

To order, use the code in the corresponding column

Size	1 1/2 in (40 mm)		2 1/2 in (63 mm)				4 in (100 mm)			
Case	304 stainless steel									
LEAD FREE Brass Connection	1/8 in nptm		1/4 in nptm		1/4 in nptm		1/4 in nptm		1/4 in nptm	
	bottom	center back	bottom	center back	bottom	center back	bottom	lower back	bottom	lower back
Ring	hermetic		hermetic		bayonet		hermetic		bayonet	
Range	Product code									
-30 in Hg to 0 vac/kPa		151LFB01-X	250LFB01-X	251LFB01-X				400LFB01-X		
-30 in Hg to 15 psi/kPa			250LFB02-X	251LFB02-X						
-30 in Hg to 30 psi/kPa			250LFB03-X	251LFB03-X						
-30 in Hg to 60 psi/kPa			250LFB04-X	251LFB04-X						
-30 in Hg to 100 psi/kPa			250LFB05-X	251LFB05-X						
-30 in Hg to 160 psi/kPa										
-30 in Hg to 200 psi/kPa										
-30 in Hg to 300 psi/kPa										
0 to 15 psi/kPa		151LFB09-X	250LFB09-X	251LFB09-X						
0 to 30 psi/kPa		151LFB10-X	250LFB10-X	251LFB10-X				400LFB10-X		
0 to 60 psi/kPa		151LFB11-X	250LFB11-X	251LFB11-X				400LFB11-X		
0 to 100 psi/kPa		151LFB12-X	250LFB12-X	251LFB12-X				400LFB12-X		
0 to 160 psi/kPa		151LFB13-X	250LFB13-X	251LFB13-X				400LFB13-X		

Notes

- 1) The gauges on this page are filled with glycerin. Drying and other liquids available upon request (see page G41).
- 2) Other scales, types and models available upon request (+/- 16 weeks delivery).

Continued on next page ↘

GLYCERIN FILLED INDUSTRIAL PRESSURE GAUGE (CONTINUED)

MODEL LFB - Lead Free Brass

To order, use the code in the corresponding column

Size	1 1/2 in (40 mm)		2 1/2 in (63 mm)				4 in (100 mm)			
Case	304 stainless steel									
LEAD FREE Brass Connection	1/8 in nptm		1/4 in nptm		1/4 in nptm		1/4 in nptm		1/4 in nptm	
	bottom	center back	bottom	center back	bottom	center back	bottom	lower back	bottom	lower back
Ring	hermetic		hermetic		bayonet		hermetic		bayonet	
Range	Product code									
0 to 200 psi/kPa		151LFB14-X	250LFB14-X	251LFB14-X			400LFB14-X			
0 to 300 psi/kPa		151LFB15-X	250LFB15-X	251LFB15-X			400LFB15-X			
0 to 400 psi/kPa			250LFB23-X				400LFB23-X			
0 to 600 psi/kPa			250LFB16-X	251LFB16-X			400LFB16-X			
0 to 1 000 psi/kPa				251LFB17-X						
0 to 1 500 psi/kPa										
0 to 2 000 psi/kPa										
0 to 3 000 psi/kPa										
0 to 4 000 psi/kPa										
0 to 5 000 psi/kPa										
0 to 6 000 psi/kPa										
0 to 10 000 psi/kPa										
0 to 15 000 psi/kPa										

Notes

- 1) The gauges on this page are filled with glycerin. Drying and other liquids available upon request (see page G41).
- 2) Other scales, types and models available upon request (+/- 16 weeks delivery).

GLYCERIN FILLED INDUSTRIAL PRESSURE GAUGE (CONTINUED)

MODEL LFB

To order, use the code in the corresponding column

Size	2 1/2 in (63 mm)	
Case	304 stainless steel	
Brass Connection	1/4 in nptm bottom	1/4 in nptm center back
Ring	hermetic	
Range	Product code	Product code
-30 in Hg to 0 vac/bar	250LFB01B	251LFB01B
-30 in Hg to 15 psi/bar		
-30 in Hg to 30 psi/bar		
-30 in Hg to 60 psi/bar		
-30 in Hg to 100 psi/bar		
-30 in Hg to 160 psi/bar		
-30 in Hg to 200 psi/bar		
-30 in Hg to 300 psi/bar		
0 to 15 psi/bar	250LFB09B	251LFB09B
0 to 30 psi/bar	250LFB10B	251LFB10B
0 to 40 psi/bar	250LFB24B	
0 to 60 psi/bar	250LFB11B	251LFB11B
0 to 100 psi/bar	250LFB12B	251LFB12B
0 to 12 bar/psi		251LFB29B
0 to 160 psi/bar	250LFB13B	251LFB13B
0 to 200 psi/bar	250LFB14B	251LFB14B
0 to 300 psi/bar	250LFB15B	251LFB15B
0 to 400 psi/bar	250LFB23B	251LFB23B
0 to 600 psi/bar	250LFB16B	251LFB16B
0 to 1 000 psi/bar	250LFB17B	251LFB17B
0 to 1 500 psi/bar	250LFB18B	251LFB18B
0 to 2 000 psi/bar	250LFB22B	251LFB22B
0 to 3 000 psi/bar	250LFB19B	251LFB19B
0 to 4 000 psi/bar		
0 to 5 000 psi/bar	250LFB20B	251LFB20B
0 to 6 000 psi/bar		
0 to 10 000 psi/bar	250LFB21B	251LFB21B
0 to 15 000 psi/bar		

Notes

- 1) The gauges on this page are filled with glycerin. Drying and other liquids available upon request (see page G41).
- 2) Other scales, types and models available upon request (+/- 16 weeks delivery).

GLYCERIN FILLED INDUSTRIAL PRESSURE GAUGE (CONTINUED)

MODEL LFB

To order, use the code in the corresponding column

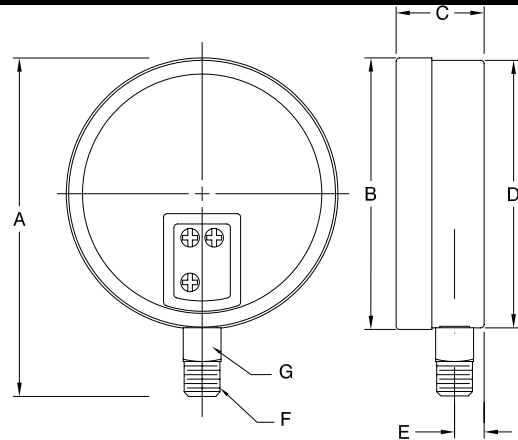
Size	2 1/2 in (63 mm)	4 in (100 mm)
Case	304 stainless steel	
Brass Connection	1/4 in bspp bottom	3/8 in bspp bottom
Ring	hermetic	
Range	Product code	Product code
-30 in Hg/bar	250LPB-BSP01	
0 to 1.6 bar/psi	250LFB-BSP1.6	
0 to 10 bar/psi	250LFB-BSP10	
0 to 10 bar		400LFB10B-375BSPP
0 to 16 bar/psi	250LFB-BSP16	
0 to 20 kg/cm ²		400LFB20K-375BSPP
0 to 25 bar/psi	250LFB-BSP25	
0 to 30 bar		400LFB30B-375BSPP
0 to 40 bar/psi	250LFB-BSP40	
0 to 50 bar		400LFB50B-375BSPP
0 to 100 bar/psi	250LFB-BSP100	
0 to 160 bar/psi	250LFB-BSP160	
0 to 250 bar/psi	250LFB-BSP250	
0 to 320 bar/psi	250LFB-BSP320	
0 to 400 bar/psi	250LFB-BSP400	
0 to 600 bar/psi	250LFB-BSP600	

Notes

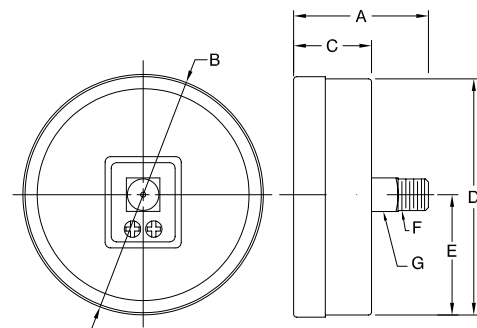
- 1) The gauges on this page are filled with glycerin. Drying and other liquids available upon request (see page G41).
- 2) Other scales, types and models available upon request (+/- 16 weeks delivery).

INDUSTRIAL GAUGE MODEL SS

Illustrated model:
400SS01



Illustrated model:
251SS01



Specifications

Case:	304 stainless steel
Dial:	White aluminum with psi graduations in black, kPa in blue
Ring:	304 stainless steel, hermetically sealed
Lens:	Polycarbonate
Pointer:	Black anodized aluminum
Connection:	316 Stainless Steel
Wetted parts:	316 Stainless Steel
Bourdon tube:	316 Stainless Steel
Maximum process and ambient temperature:	-40 to 200°F / -40 to 93°C
Recommended pressure:	Maximum 75% of full scale value
Overpressure limit:	25% over full scale value
Accuracy:	ASME B40.100(B40.1), Grade B $\pm 2\%$

Dimensions as per diagram

\varnothing	Connection	A	B	C	D	F	G
2 in (50 mm)	bottom	3,02 in (76,71 mm)	2,07 in (52,58 mm)	1,13 in (28,7 mm)	2,00 in (50,8 mm)	¼ in nptm	9/16 flat (14 mm)
	center back	1,80 in (45,72 mm)	2,07 in (52,58 mm)	1,13 in (28,7 mm)	2,00 in (50,8 mm)	¼ in nptm	9/16 flat (14 mm)
2,5 in (63 mm)	bottom	3,35 in (85,09 mm)	2,48 in (62,99 mm)	1,13 in (28,7 mm)	2,43 in (61,72 mm)	¼ in nptm	9/16 flat (14 mm)
	center back	1,80 in (45,72 mm)	2,48 in (62,99 mm)	1,13 in (28,7 mm)	2,43 in (61,72 mm)	¼ in nptm	9/16 flat (14 mm)
4 in (100 mm)	bottom	4,89 in (124,21 mm)	3,93 in (99,82 mm)	1,30 in (33,02 mm)	3,87 in (98,3 mm)	¼ in nptm	9/16 flat (14 mm)

INDUSTRIEL GAUGE (CONTINUED)

MODEL SS

To order, use the code in the corresponding column

Size	2 in (50 mm)		2 1/2 in (63 mm)		4 in (100 mm)	
Case	304 stainless steel					
Connection	1/4 in nptm					
	bottom	center back	bottom	center back	bottom	lower back
	316 Stainless Steel					
Ring	hermetic					
Range						
-30 in Hg to 0 vac/kPa	200SS01	201SS01	250SS01	251SS01	400SS01	
-30 in Hg to 15 psi/kPa						
-30 in Hg to 30 psi/kPa						
-30 in Hg to 60 psi/kPa						
-30 in Hg to 100 psi/kPa						
-30 in Hg to 160 psi/kPa						
-30 in Hg to 200 psi/kPa						
-30 in Hg to 300 psi/kPa						
0 to 15 psi/kPa						
0 to 30 psi/kPa						
0 to 60 psi/kPa						
0 to 100 psi/kPa	200SS12		250SS12			
0 to 160 psi/kPa						
0 to 200 psi/kPa						
0 to 300 psi/kPa						
0 to 400 psi/kPa						
0 to 600 psi/kPa						

Notes

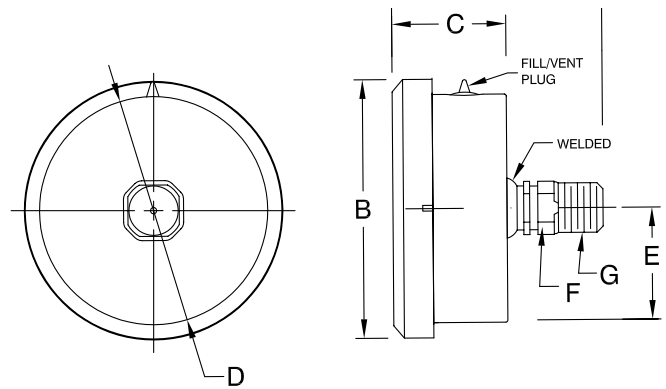
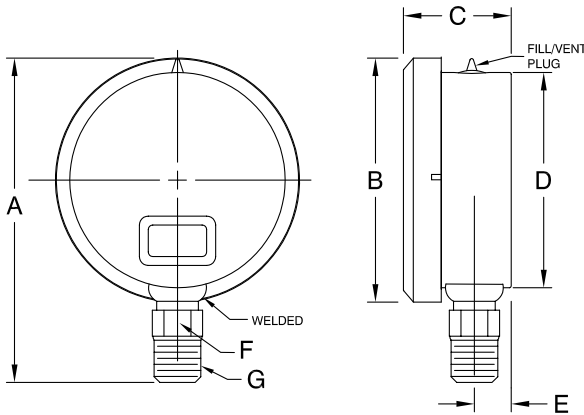
- 1) The pressure gauges on this page are dry and non-fillable.
- 2) Other scales, types and models available upon request (+/- 16 weeks delivery).

INDUSTRIAL PRESSURE GAUGE GLYCERIN FILLED MODELS LFSS AND LFSSW

Illustrated model: 250LFSS21W



Illustrated model: 251LFSS12W



Specifications

Case:	304 stainless steel
Dial:	White aluminum with psi graduations in black, kPa in blue
Ring:	304 stainless steel, bayonet style except 1 ½ in (40 mm) hermetically sealed
Lens:	Polycarbonate
Pointer:	LFSS: Black anodized aluminum for 1 ½ in (40 mm), 2 in (50 mm), 2 ½ in (63 mm) and 4 in (100 mm) LFSSW: adjustable pointer for 4 in (100 mm) and 6 in (150 mm)
Connection:	316 Stainless Steel
Wetted parts:	316 Stainless Steel
Bourdon tube:	316 Stainless Steel
Ambient temperature:	-40 to 200°F / -40 to 93°C (For dry gauge)
Maximum process temperature:	-40 to 200°F / -40 to 93°C (dry)
	-4 to 200°F / -20 to 93°C (Glycerin)
	-40 to 200°F / -40 to 93°C (Silicone) + 200°F / +93°C (Consult Pitanco Precision)
Recommended pressure:	Maximum 75 % of full scale value
Overpressure limit:	25 % over full scale value
Accuracy:	ASME B40.100(B40.1), Grade B ± 2 %, 1 ½ in (40 mm), 2 in (50 mm), 2 ½ in (63 mm) and 4 in (100 mm) LFSS Grade A ± 1 % for 4 in (100 mm) and 6 in (150 mm) LFSSW
Certification:	Canadian Registration Number (CRN) for all provinces.

INDUSTRIAL PRESSURE GAUGE GLYCERIN FILLED (CONTINUED)

MODELS LFSS AND LFSSW

Illustrated model:
400LFSS07W



Illustrated model: 401LFSS09W

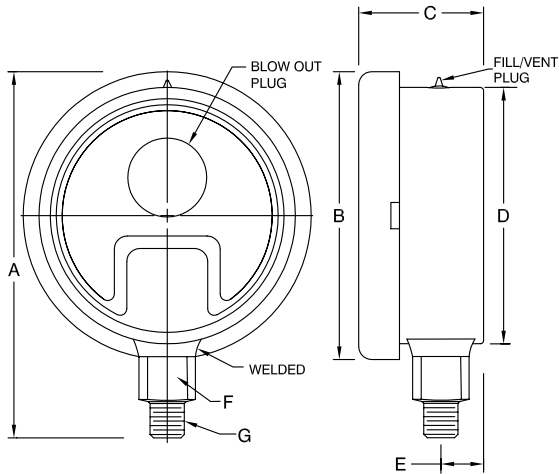


Diagram: 400 and 600LFSSW

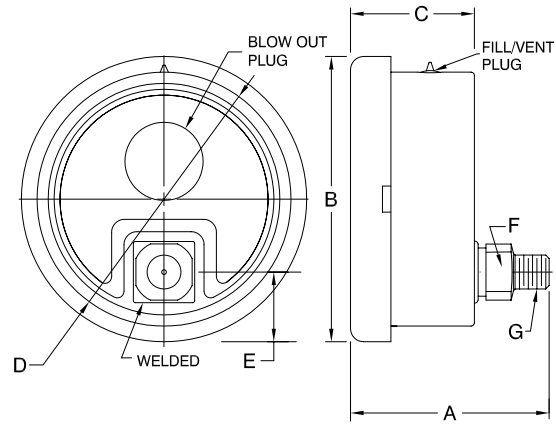


Diagram: 401 and 601LFSSW

Dimensions as per diagram

Ø	Connection	A	B	C	D	E	F	G
1,5 in (40 mm)	bottom	2,49 in (63 mm)	1,83 in (46 mm)	0,98 in (25 mm)	1,6 in (41 mm)	0,32 in (8 mm)	7/16 flat (11 mm)	1/8 in nptm
	hermetic center back	1,75 in (44 mm)	1,83 in (46 mm)	0,98 in (25 mm)	1,6 in (41 mm)	0,8 in (20 mm)	7/16 flat (11 mm)	1/8 in nptm
2 in (50 mm)	bottom	3,17 in (80,4 mm)	2,3 in (58 mm)	1,1 in (28,2 mm)	2 in (51,6 mm)	0,41 in (10,4 mm)	9/16 hex. (14 mm)	1/4 in nptm
	bayonet center back	2,11 in (53,6 mm)	2,3 in (58 mm)	1,1 in (28,2 mm)	2 in (51,6 mm)	1 in (25,8 mm)	9/16 hex. (14 mm)	1/4 in nptm
2,5 in (63 mm)	bottom	3,6 in (92,11 mm)	2,7 in (69 mm)	1,2 in (30,5 mm)	2,4 in (61 mm)	0,41 in (10,4 mm)	9/16 hex. (14 mm)	1/4 in nptm
	bayonet center back	2,2 in (56,1 mm)	2,7 in (69 mm)	1,2 in (30,5 mm)	2,4 in (61 mm)	1,2 in (30,5 mm)	9/16 hex. (14 mm)	1/4 in nptm
4 in (100 mm)	bottom	5,3 in (135,1 mm)	4,4 in (111 mm)	1,5 in (38,9 mm)	3,9 in (99 mm)	0,5 in (12,7 mm)	11/16 hex. (17 mm)	1/4 in nptm
	bayonet lower back	2,8 in (71,2 mm)	4,4 in (111 mm)	1,5 in (38,9 mm)	3,9 in (99 mm)	1,4 in (34,7 mm)	11/16 hex. (17 mm)	1/4 in nptm
4 in (100 mm)	bottom	5,6 in (142,2 mm)	4,4 in (111 mm)	1,9 in (48,3 mm)	3,9 in (99 mm)	0,65 in (16,5 mm)	7/8 flat (22 mm)	1/4 in nptm
	Premium quality lower back	3 in (76,2 mm)	4,4 in (111 mm)	1,9 in (48,3 mm)	3,9 in (99 mm)	0,85 in (22 mm)	7/8 flat (22 mm)	1/4 in nptm
4 in (100 mm)	bottom	5,75 in (146 mm)	4,4 in (111 mm)	1,9 in (48,3 mm)	3,9 in (99 mm)	0,62 in (16 mm)	7/8 flat (22 mm)	1/2 in nptm
	Premium quality lower back	3,3 in (84 mm)	4,4 in (111 mm)	1,9 in (48,3 mm)	3,9 in (99 mm)	0,83 in (21 mm)	7/8 flat (22 mm)	1/2 in nptm
6 in (150 mm)	bottom	7,62 in (194 mm)	6,3 in (160 mm)	1,9 in (48,3 mm)	5,86 in (149 mm)	0,57 in (14 mm)	7/8 flat (22 mm)	1/2 in nptm
	Premium quality lower back	3,52 in (89 mm)	6,3 in (160 mm)	1,9 in (48,3 mm)	5,86 in (149 mm)	1,77 in (45 mm)	7/8 flat (22 mm)	1/2 in nptm

INDUSTRIAL PRESSURE GAUGE GLYCERIN FILLED (CONTINUED)
MODELS LFSS AND LFSSW

To order, use the code in the corresponding column

Size	1 1/2 in (40 mm)		2 in (50 mm)		2 1/2 in (63 mm)		4 in (100 mm)	
Case	304 stainless steel							
Connection	1/8 in nptm		1/4 in nptm					
	bottom	center back	bottom	center back	bottom	center back	bottom	lower back
Ring	hermetic		bayonet					
Range	Product code							
-30 in Hg to 0 vac/kPa	150LFSS01	151LFSS01	200LFSS01	201LFSS01	250LFSS01	251LFSS01	400LFSS01	401LFSS01
-30 in Hg to 15 psi/kPa					250LFSS02	251LFSS02	400LFSS02	401LFSS02
-30 in Hg to 30 psi/kPa					250LFSS03	251LFSS03	400LFSS03	401LFSS03
-30 in Hg to 60 psi/kPa					250LFSS04	251LFSS04	400LFSS04	401LFSS04
-30 in Hg to 100 psi/kPa					250LFSS05	251LFSS05	400LFSS05	401LFSS05
-30 in Hg to 160 psi/kPa					250LFSS06	251LFSS06	400LFSS06	401LFSS06
-30 in Hg to 200 psi/kPa					250LFSS07	251LFSS07	400LFSS07	401LFSS07
-30 in Hg to 300 psi/kPa					250LFSS08	251LFSS08	400LFSS08	401LFSS08
0 to 15 psi/kPa	150LFSS09	150LFSS09	200LFSS09	201LFSS09	250LFSS09	251LFSS09	400LFSS09	401LFSS09
0 to 30 psi/kPa	150LFSS10	151LFSS10	200LFSS10	201LFSS10	250LFSS10	251LFSS10	400LFSS10	401LFSS10
0 to 60 psi/kPa	150LFSS11	151LFSS11	200LFSS11	201LFSS11	250LFSS11	251LFSS11	400LFSS11	401LFSS11
0 to 100 psi/kPa	150LFSS12	151LFSS12	200LFSS12	201LFSS12	250LFSS12	251LFSS12	400LFSS12	401LFSS12
0 to 160 psi/kPa	150LFSS13	151LFSS13	200LFSS13	201LFSS13	250LFSS13	251LFSS13	400LFSS13	401LFSS13
0 to 200 psi/kPa	150LFSS14	151LFSS14	200LFSS14	201LFSS14	250LFSS14	251LFSS14	400LFSS14	401LFSS14
0 to 300 psi/kPa	150LFSS15	151LFSS15	200LFSS15	201LFSS15	250LFSS15	251LFSS15	400LFSS15	401LFSS15
0 to 400 psi/kPa	150LFSS23	151LFSS23	200LFSS23	201LFSS23	250LFSS23	251LFSS23	400LFSS23	401LFSS23
0 to 600 psi/kPa			200LFSS16	201LFSS16	250LFSS16	251LFSS16	400LFSS16	401LFSS16

Notes

- 1) The gauges on this page are filled with glycerin. Drying and other liquids available upon request (see page G41).
- 2) Other scales, types and models available upon request (+/- 16 weeks delivery).

Continued on next page

INDUSTRIAL PRESSURE GAUGE GLYCERIN FILLED (CONTINUED)
MODELS LFSS AND LFSSW

To order, use the code in the corresponding column

Size	1 1/2 in (40 mm)		2 in (50 mm)		2 1/2 in (63 mm)		4 in (100 mm)	
Case	304 stainless steel							
Connection	1/8 in nptm		1/4 in nptm					
	bottom	center back	bottom	center back	bottom	center back	bottom	lower back
Ring	hermetic		316 Stainless Steel					
Ring			bayonet					
Range	Product code							
0 to 1 000 psi/kPa			200LFSS17	201LFSS17	250LFSS17	251LFSS17	400LFSS17	401LFSS17
0 to 1 500 psi/kPa					250LFSS18	251LFSS18	400LFSS18	401LFSS18
0 to 2 000 psi/kPa	150LFSS22	151LFSS22			250LFSS22	251LFSS22	400LFSS22	401LFSS22
0 to 3 000 psi/kPa			200LFSS19	201LFSS19	250LFSS19	251LFSS19	400LFSS19	401LFSS19
0 to 5 000 psi/kPa					250LFSS20	251LFSS20	400LFSS20	401LFSS20
0 to 10 000 psi/kPa					250LFSS21	251LFSS21	400LFSS21	401LFSS21
-30/150 psi (-40/85°F)					250LFSS30W			
-30/300 psi (-60/120°F)					250LFSS31W			

Notes

- 1) The gauges on this page are filled with glycerin. Drying and other liquids available upon request (see page G41).
- 2) Other scales, types and models available upon request (+/- 16 weeks delivery).

INDUSTRIAL PRESSURE GAUGE GLYCERIN FILLED (CONTINUED)

MODELS LFSS AND LFSSW

To order, use the code in the corresponding column

Size	4 in (100 mm) LFSSW Grade A				6 in (150 mm) Grade A		
Case	304 stainless steel						
Connection	1/4 in nptm		1/2 in nptm		1/4 in nptm	1/2 in nptm	1/2 in nptm
	bottom	lower back	bottom	lower back	bottom		lower back
Ring	316 Stainless Steel						
Ring	bayonet						
Range	Product code						
-30 in Hg to 0 vac/kPa	400LFSS01W	401LFSS01W	400LFSS01W-500	401LFSS01W-500		600LFSS01	601LFSS01
-30 in Hg to 15 psi/kPa	400LFSS02W	401LFSS02W	400LFSS02W-500	401LFSS02W-500			
-30 in Hg to 30 psi/kPa	400LFSS03W	401LFSS03W	400LFSS03W-500	401LFSS03W-500			601LFSS03
-30 in Hg to 60 psi/kPa	400LFSS04W	401LFSS04W	400LFSS04W-500	401LFSS04W-500			
-30 in Hg to 100 psi/kPa	400LFSS05W	401LFSS05W	400LFSS05W-500	401LFSS05W-500			
-30 in Hg to 160 psi/kPa	400LFSS06W	401LFSS06W	400LFSS06W-500	401LFSS06W-500			
-30 in Hg to 200 psi/kPa	400LFSS07W	401LFSS07W	400LFSS07W-500	401LFSS07W-500			
-30 in Hg to 300 psi/kPa	400LFSS08W	401LFSS08W	400LFSS08W-500	401LFSS08W-500			
0 to 15 psi/kPa	400LFSS09W	401LFSS09W	400LFSS09W-500	401LFSS09W-500		600LFSS09	601LFSS09
0 to 30 psi/kPa	400LFSS10W	401LFSS10W	400LFSS10W-500	401LFSS10W-500		600LFSS10	601LFSS10
0 to 60 psi/kPa	400LFSS11W	401LFSS11W	400LFSS11W-500	401LFSS11W-500		600LFSS11	601LFSS11
0 to 100 psi/kPa	400LFSS12W	401LFSS12W	400LFSS12W-500	401LFSS12W-500		600LFSS12	601LFSS12
0 to 160 psi/kPa	400LFSS13W	401LFSS13W	400LFSS13W-500	401LFSS13W-500		600LFSS13	601LFSS13
0 to 200 psi/kPa	400LFSS14W	401LFSS14W	400LFSS14W-500	401LFSS14W-500	600LFSS14W-250	600LFSS14	601LFSS14
0 to 300 psi/kPa	400LFSS15W	401LFSS15W	400LFSS15W-500	401LFSS15W-500		600LFSS15	601LFSS15
0 to 400 psi/kPa	400LFSS23W	401LFSS23W	400LFSS23W-500	401LFSS23W-500		600LFSS23	601LFSS23
0 to 600 psi/kPa	400LFSS16W	401LFSS16W	400LFSS16W-500	401LFSS16W-500		600LFSS16	601LFSS16
0 to 1 000 psi/kPa	400LFSS17W	401LFSS17W	400LFSS17W-500	401LFSS17W-500		600LFSS17	601LFSS17

Notes

- 1) The pressure gauges on this page are dry but fillable.
- 2) Other scales, types and models available upon request (+/- 16 weeks delivery).
- 3) W = Welded block instead of the standard 2 piece.

Continued on next page ➤

INDUSTRIAL PRESSURE GAUGE GLYCERIN FILLED (CONTINUED)
MODELS LFSS AND LFSSW

To order, use the code in the corresponding column

Size	4 in (100 mm) LFSSW Grade A				6 in (150 mm) Grade A		
Case	304 stainless steel						
Connection	1/4 in nptm		1/2 in nptm		1/4 in nptm	1/2 in nptm	
	bottom	lower back	bottom	lower back	bottom	lower back	
Ring	316 Stainless Steel						
Ring	bayonet						
Range	Product code						
0 to 1 500 psi/kPa	400LFSS18W	401LFSS18W	400LFSS18W-500	401LFSS18W-500			
0 to 2 000 psi/kPa	400LFSS22W	401LFSS22W	400LFSS22W-500	401LFSS22W-500		600LFSS22	601LFSS22
0 to 3 000 psi/kPa	400LFSS19W	401LFSS19W	400LFSS19W-500	401LFSS19W-500		600LFSS19	601LFSS19
0 to 5 000 psi/kPa	400LFSS20W	401LFSS20W	400LFSS20W-500	401LFSS20W-500		600LFSS20	601LFSS20
0 to 10 000 psi/kPa	400LFSS21W	401LFSS21W	400LFSS21W-500	401LFSS21W-500		600LFSS21	601LFSS21
0 to 10 000 psi/bar	400LFSS750WB-BSPP						
0 to 15 000 psi/kPa			400LFSS26W-500	401LFSS26W-500		600LFSS26	601LFSS26
-30 in Hg to 150 psi -40 to 85°F	400LFSS30W		400LFSS30W-500				
-30 in Hg to 300 psi -60 to 120°F	400LFSS31W		400LFSS31W-500				

Notes

- 1) The pressure gauges on this page are dry but fillable.
- 2) Other scales, types and models available upon request (+/- 16 weeks delivery).
- 3) W = Welded block instead of the standard 2 piece.

U-CLAMP

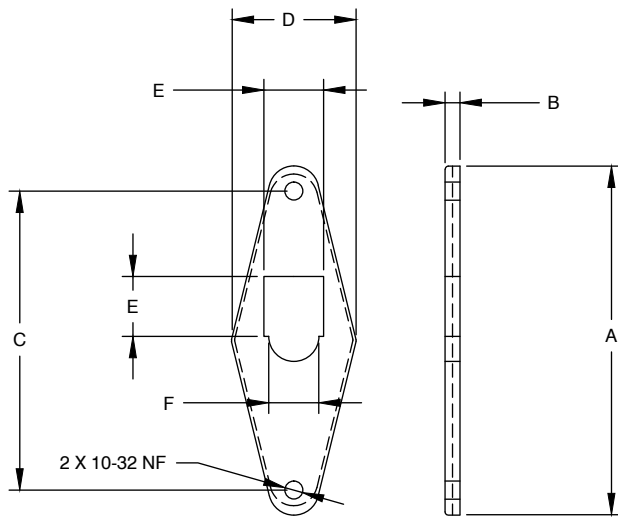


Diagram: UC251SS



Illustrated model: UC401SSW with offset hole
for 4 in pressure gauge with lower back connection

U-CLAMPS MODEL UC (for panel without visible screws at the front)

Product code	A	B	C	D	E	F	2 vis
UC151SS	2,32 in	0,14 in	1,88 in	0,98 in	0,45 in	0,40 in	10-32 UNF
	58,92 mm	3,56 mm	47,75 mm	24,9 mm	11,43 mm	11,59 mm	
UC201SS	2,84 in	0,14 in	2,36 in	1,27 in	0,56 in	0,47 in	10-32 UNF
	72,13 mm	3,56 mm	60 mm	32,25 mm	14,22 mm	11,94 mm	
UC251SS	3,27 in	0,14 in	2,80 in	1,27 in	0,56 in	0,47 in	10-32 UNF
	82,95 mm	3,56 mm	71,12 mm	32,25 mm	14,22 mm	11,94 mm	
UC401A	4,88 in	0,17 in	4,26 in	1,43 in	0,56 in	0,47 in	10-32 UNF
	123,95 mm	4,19 mm	108,31 mm	36,32 mm	14,22 mm	11,94 mm	
UC401SS	4,88 in	0,17 in	4,26 in	1,43 in	0,68 in	0,79 in	10-32 UNF
	123,95 mm	4,19 mm	108,31 mm	36,32 mm	17,16 mm	20,07 mm	
UC401SSW	4,88 in	0,17 in	4,26 in	1,43 in	0,87 in	1,12 in	10-32 UNF
	123,95 mm	4,19 mm	108,31 mm	36,32 mm	22,02 mm	28,38 mm	

FLANGE

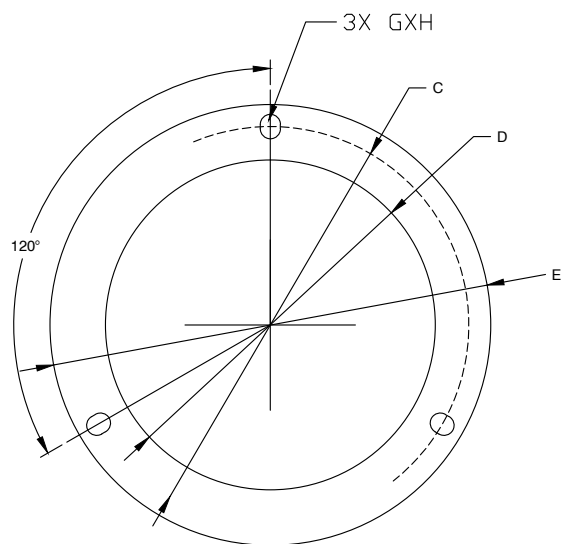
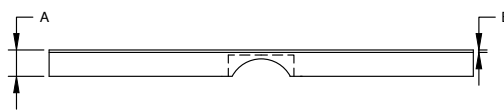
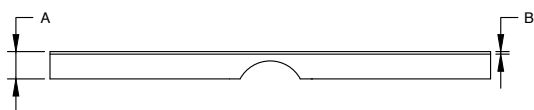


Diagram: FRFL

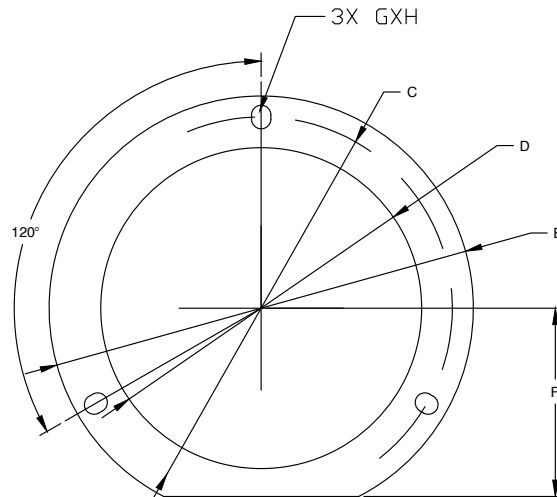


Diagram: BCFL

FRONT FLANGE MODEL FRFL (for panel, attached by 3 screws) *

Product code	A	B	C Ø	D Ø	E Ø	3 X GXH
FRFL-201SS	0,28 in	0,11 in	2,50 in	2,40 in	2,90 in	3 x 0,215 x 0,16 in
	7,11 mm	2,79 mm	63,5 mm	60,96 mm	73,66 mm	5,46 x 4,06 mm
FRFL-251SS	0,15 in	0,03 in	3,12 in	2,4 in	3,44 in	3 x 0,24 x 0,20 in
	3,81 mm	0,76 mm	79,25 mm	60,96 mm	87,37 mm	6,09 x 5,08 mm
FRFL-401SSW	0,31 in	0,11 in	4,79 in	3,87 in	5,10 in	3 x Ø x 0,17 in
	7,87 mm	2,79 mm	121,66 mm	98,30 mm	129,54 mm	Ø x 4,32 mm
FRFL-601SS	0,40 in	0,03 in	6,88 in	5,94 in	7,55 in	3 x 0,315 x 0,210 in
	10,1 mm	0,76 mm	173,63 mm	150,87 mm	191,8 mm	8,0 x 5,33 mm

BACK FLANGE MODEL BCFL (for wall mounting, attached by 3 screws) *

Product code	A	B	C Ø	D Ø	E Ø	F	3 X GXH
BCFL-200SS	0,25 in	0,03 in	2,525 in	2,045 in	3 in	1,30 in	0,210 x 0,16 in
	6,35 mm	0,76 mm	64,14 mm	51,94 mm	76,2 mm	32,02 mm	5,33 x 4,06 mm
BCFL-250SS	0,25 in	0,03 in	2,92 in	2,4 in	3,38 in	1,44 in	0,190 x 0,150 in
	6,35 mm	0,76 mm	74,16 mm	60,96 mm	85,85 mm	36,57 mm	4,82 x 3,8 mm
BCFL-400SS	0,32 in	0,03 in	4,66 in	3,91 in	5,17 in	2,30 in	1,295 x 0,235 in
	8,13 mm	0,76 mm	118,36 mm	99,31 mm	131,32 mm	58,29 mm	7,45 x 6 mm
BCFL-600SS	0,42 in	0,03 in	7,08 in	5,865 in	7,63 in	4 in	0,315 x 0,210 in
	10,66 mm	0,76 mm	179,83 mm	148,97 mm	193,8 mm	101,6 mm	8 x 5,33 mm

Notes

- 1) * Screws are not included
- 2) Flange assembly and welding to the gauge is required. Code FLA

HIGH ACCURACY FIELD DIGITAL PRESSURE GAUGE MODEL DPG200



Specifications

Pressure range:	Vacuum to 1000 bar
Overpressure limit:	Range \geq 10MPa 150%; Range < 10MPa 200%
Pressure units available:	Bar, psi, kPa, Kg/cm ² , MPa (Readings available depending on pressures).
Temperature compensation:	10 ~ 30°C
Accuracy:	\pm 0.2% FS
Materials:	304 stainless steel case and connector
Dial:	4" (100mm)
Display:	4 digits LCD display
Connection:	1/4" NPT
Supply:	3V (2 AAA batteries).
Battery life:	Low power design keeping it work more than 12 months
IP rating:	IP50
Peak values:	Minimum and maximum
Display updated rate:	5 times/second (or according to client's demand)
Electric Protection:	Reverse protection, anti-electromagnetic interference
Fonctions:	Zero clearing, On/off button, Low voltage alarm. Maximun and minimum function.

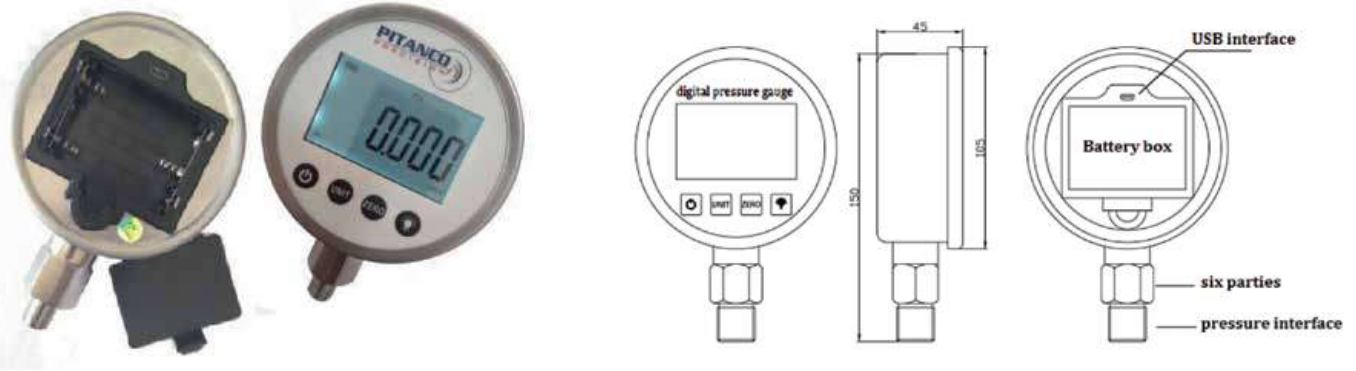
To order, use the code in the corresponding column

Range	Product code
-30 in Hg	DPG200-01
0 to 5 psi	DPG200-5 psi
0 to 30 psi	DPG200-10
0 to 100 psi	DPG200-12
0 to 200 psi	DPG200-14
0 to 300 psi	DPG200-15
0 to 400 psi	DPG200-23
0 to 600 psi	DPG200-16
0 to 1,000 psi	DPG200-17
0 to 2,000 psi	DPG200-22
0 to 5,000 psi	DPG200-20
0 to 10,000 psi	DPG200-21

Notes

1) Other scales, types and models available upon request (+/- 16 weeks delivery).

HIGH ACCURACY FIELD DIGITAL PRESSURE GAUGE MODEL DPG200A



Specifications

Pressure range:	Vacuum to 1600 bar
Pressure type:	Gauge pressure, negative relative pressure, absolute pressure
Pressure units available:	MPa, kPa, Pa, psi, bar, kgf/cm ² , mbar, inH ₂ O, mmHg, Torr, atm, mmH ₂ O, mH ₂ O (Readings available depending on pressures).
Overpressure limit:	Range: <10MPa 150%; ≥10MPa 120%
Accuracy:	0.4% F.S
Long term stability:	0.2% FS / year
Materials:	304 stainless steel case and connecteur
Dial:	4" (100mm)
Display:	High resolution 5 digits LCD display with backlight
Connection:	1/4" NPT
Supply:	4.5V (3 batteries AA) or USB powered
Battery life:	≥18 month (subject to operating conditions)
IP rating:	IP50
Display updated rate:	3 times/second (or according to client's demand)
Peak values:	Minimum and maximum
Electric Protection:	Anti-electromagnetic interference, according to EN61326
Functions:	Zero clearing, On/off button, Low voltage alarm. Maximun and minimum function.. White backlight, change of measurement unit , recording of maximum values, display of the pressure percentage

To order, use the code in the corresponding column

Range	Product code
-30 in Hg vacuum	DPG200A-01
-30 in Hg vacuum to 300 psi	DPG200A-08
0 to 5 psi	DPG200A-5 psi
0 to 10 psi	DPG200A-10 psi

Notes

1) Other scales, types and models available upon request (+/- 16 weeks delivery).

HIGH ACCURACY FIELD DIGITAL PRESSURE GAUGE MODEL DPG200B



Specifications

Pressure range:	Vacuum to 1600 bar
Pressure type:	Manometric pressure, negative relative pressure, absolute pressure
Pressure units available:	MPa, kPa, Pa, psi, bar, kgf/cm ² , mbar, inH ₂ O, mmHg, Torr, atm, mmH ₂ O, mH ₂ O (Readings available depending on pressures).
Overpressure limit:	Range: <100bar 150%; ≥10bar 120%
Accuracy:	0.2% F.S
Long term stability:	0.2% FS / year
Materials:	304 stainless steel case and connecteur
Dial:	4" (100mm)
Display:	High resolution 5 digits LCD display
Connection:	1/4" NPT
Supply:	4.5V (3 batteries AA) or USB powered
Battery life:	≥18 month (subject to operating conditions)
IP rating:	IP50
Display updated rate:	3 times/second (or according to client's demand)
Peak values:	Minimum and maximum
Electric Protection:	Anti-electromagnetic interference, according to EN61326
Fonctions:	Zero clearing, On/off button, Low voltage alarm, Maximun and minimum function. White backlight, change of measurement unit, recording of maximum values, display of the pressure percentage.

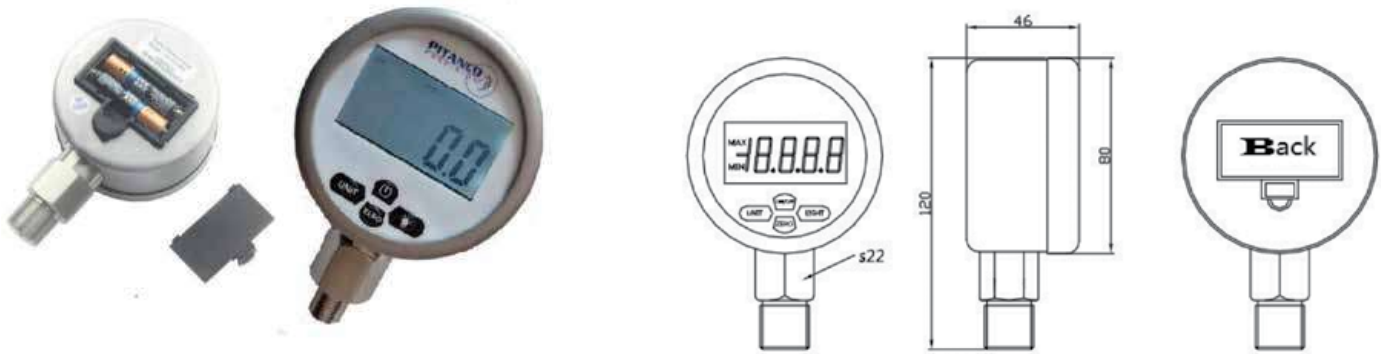
To order, use the code in the corresponding column

Range	Product code
0 to 5 psi	DPG200B-5 psi
0 to 10 psi	DPG200B-10 psi
0 to 30 psi	DPG200B-08
0 to 300 psi	DPG200B-15
0 to 500 psi	DPG200B-20

Notes

1) Other scales, types and models available upon request (+/- 16 weeks delivery).

HIGH ACCURACY FIELD DIGITAL PRESSURE GAUGE MODEL DPG280



Specifications

Pressure range:	Vacuum to 1000 bar
Overpressure limit:	Range \geq 10MPa 150%; Range < 10MPa 200%
Pressure units available:	bar, psi, kPa, Kg/cm ² , MPa (Readings available depending on pressures).
Temperature compensation:	10 ~ 30°C
Accuracy:	\pm 0.4% F.S
Materials:	304 stainless steel case and connecteur
Dial:	3" (80mm)
Display:	4 big digits LCD display with backlight
Connection:	1/4" NPT
Supply:	3V (2 AAA batteries)
Battery life:	Low power design keeping it work more than 12 months
IP rating:	IP50
Peak values:	Minimum and maximum
Display updated rate:	5 times/second (or according to client's demand)
Electric Protection:	Reverse protection, anti-electromagnetic interference
Fonctions:	Zero clearing, On/off button, Low voltage alarm, Maximun and minimum function.

To order, use the code in the corresponding column

Range	Product code
-30 in Hg vacuum	DPG280-01
0 to 5 psi	DPG280-5 psi
0 to 10 psi	DPG280-10 psi
0 to 100 psi	DPG280-12
0 to 200 psi	DPG280-14
0 to 400 psi	DPG280-23
0 to 600 psi	DPG280-16
0 to 1,000 psi	DPG280-17
0 to 2,000 psi	DPG280-22

Notes

1) Other scales, types and models available upon request (+/- 16 weeks delivery).

HIGH ACCURACY FIELD DIGITAL PRESSURE GAUGE MODEL DPG280B



Specifications

Pressure range:	Vacuum to 1600 bar
Overpressure limit:	Range \geq 100bar 150%; Range < 100bar 200%
Pressure units available:	MPa, kPa, Pa, psi, bar, kgf/cm ² , mbar, inH ₂ O, mmHg, Torr, atm, mmH ₂ O, MH ₂ O (Readings available depending on pressures).
Temperature compensation:	10 ~ 30°C
Accuracy:	\pm 0.4% F.S
Materials:	304 stainless steel case and connecteur
Dial:	3" (80mm)
Display:	4 big digits LCD display with backlight
Connection:	1/4" NPT
Supply:	3V (2 AAA batteries)
Battery life:	Low power design keeping it work more than 12 months
IP rating:	IP50
Peak values:	Minimum and maximum
Display Updated Rate:	5 times/second (or according to client's demand)
Electric Protection:	Reverse protection, anti-electromagnetic interference
Fonctions:	Zero clearing, On/off button, Low voltage alarm, maximun and minimum function.

To order, use the code in the corresponding column

Range	Product code
-30 in Hg	DPG280B-01
0 to 5 psi	DPG280B-5 psi
0 to 10 psi	DPG280B-10 psi
0 to 30 psi	DPG280B-10
0 to 100 psi	DPG280B-12
0 to 200 psi	DPG280B-14
0 to 300 psi	DPG280B-15
0 to 1,000 psi	DPG280B-17
0 to 5,000 psi	DPG280B-20
0 to 10,000 psi	DPG280B-21

Notes

1) Other scales, types and models available upon request (+/- 16 weeks delivery).

GAUGES FILLING AND DIAPHRAGM SEAL ASSEMBLY

Description	Product code
Gauge filling - Glycerin (FDA) -40°F/C (all sizes)	GW
Gauge filling 4 in (100 mm) - Glycerin (FDA) 0 to 200°F / -17 to 93°C	G-400
Gauge filling 4 1/2 in (115 mm)- Glycerin (FDA) 0 to 200°F / -17 to 93°C	G-450
Gauge filling 6 in (150 mm) - Glycerin (FDA) 0 to 200°F / -17 to 93°C	G-600
Glycerin (FDA) 4,5 liters (1 gallon) 0 to 200°F / -17 to 93°C	G4L
Gauge filling 1 1/2 and 2 in (50 mm) - Silicone 1000 CS -50 to 400°F / -45 to 200°C	S-200
Gauge filling 2 1/2 in (63 mm) - Silicone 1000 CS -50 to 400°F / -45 to 200°C	S-250
Gauge filling 4 in (100 mm) - Silicone 1000 CS -50 to 400°F / -45 to 200°C	S-400
Gauge filling 4 1/2 in (115 mm) - Silicone 1000 CS -50 to 400°F / -45 to 200°C	S-450
Gauge filling 6 in (150 mm) - Silicone 1000 CS -50 to 400°F / -45 to 200°C	S-600
Silicone 1000 CS 4,5 liters (1 gallon) -50 to 400°F / -45 to 200°C	S4L
Gauge filling 1 1/2 and 2 in (50 mm) - Propylene Glycol (FDA) -67 to 293°F / -55 to 145°C	PRGL-200
Gauge filling 2 1/2 in (63 mm) - Propylene Glycol (FDA) -67 to 229°F / -55 to 145°C	PRGL-250
Gauge filling 4 in (100 mm) - Propylene Glycol (FDA) -67 to 229°F / -55 to 145°C	PRGL-400
Gauge filling 4 1/2 in (115 mm) - Propylene Glycol (FDA) -67 to 229°F / -55 to 145°C	PRGL-450
Gauge filling 6 in (150 mm) - Propylene Glycol (FDA) -67 to 229°F / -55 to 145°C	PRGL-600
Propylene Glycol (FDA) 4,5 liters (1 gallon) -67 to 229°F / -55 to 145°C	PRGL-4L
Diaphragm seal filling - Propylene Glycol (FDA) -67 to 229°F / -55 to 145°C	FIL-PRGL
Diaphragm seal filling - Glycerin (FDA) 0 to 200°F / -15 to 93°C	FIL-GD
Diaphragm seal filling - Glycerin (FDA) -40 to 160°F / -40 to 70°C (standard)	FIL-GWD
Diaphragm seal filling - Silicone DC200 1000 CS, -50 to 400°F / -45 to 200°C	FIL-SID
Diaphragm seal filling - Silicone DOT 5, -70 to 600°F / -56 to 315°C	FIL-SIHD
Diaphragm seal filling - Syltherm XLT, -150 to 500°F / -100 to 260°C	FIL-SYL
Diaphragm seal filling - Fluorolube FS5, -50 to 500°F / -45 to 260°C	FIL-FS5D
Drying out gauges (all sizes)	ASSECHAGE

ACCESSORIES AND OPTIONS FOR GAUGES

Description	Product code
Rubber protector for Gauge 2 ½ in (63 mm)	GP-250
Rubber protector for digital Gauge 2 ½ in (63 mm)	GP-280
Safety glass 2 ½ in (63 mm)	SG-250
Safety glass 4 in (100 mm)	SG-400
Safety glass 4 ½ in (115 mm)	SG-450
Standard glass 1 ½ in (40 mm)	VG-150
Standard glass 2 in (50 mm)	VG-200
Standard glass 2 ½ in (63 mm)	VG-250
Standard glass 4 in (100 mm)	VG-400
Polycarbonate lens with red needle indicating the maximum pressure on a pressure gauge (400LFSSW only)	MAX-400
Polycarbonate lens with red needle indicating the maximum pressure on gauge (450P only)	MAX-450

OTHER SERVICES AND OPTIONS

Product code	Description
CERT-M	Calibration certificate for new gauge, traceability to NRC and NIST
CERT-U	Calibration certificate for used gauge (all brand)
CERT-T	Calibration certificate for new and used thermometer
OS1	Oxygen clean for gauge of 1 ½ in (40 mm) to 3 ½ in (87 mm)
OS2	Oxygen clean for gauge of 4 in (100 mm) and 4 ½ in (115 mm)
OS3	Oxygen clean for gauge of 6 in (150 mm)
OSBV1	Oxygen clean for ball valve of ¼ in nptf to 1 in nptf (1 piece)
OSBV2	Oxygen clean for ball valve of ¼ in nptf to 1 in nptf (2 piece)
OSBVD	Oxygen clean for ball valve of more than 1 in (2 piece)

GAUGE EXECUTION CRITERION AND ALLOWED TOLERANCES (PSI)

Range (psi)	Detailed range (psi)	Grade "AA" (1/2 de 1 %)	Grade "A" (1 %)	Grade "B" (2 %)
Vacuum	30 to 22,5	±0,15	± 1/2	±1
	22,5 to 7,5	±0,15	± 1/2	±1
	7,5 to 0	±0,15	± 1/2	±1
30	0 to 7,5	±0,15	± 1/2	±1
	7,5 to 22,5	±0,15	± 1/2	±1
	22,5 to 30	±0,15	± 1/2	±1
40	0 to 10	± 1/2	±1	±2
	10 to 30	± 1/2	± 1/2	±1
	30 to 40	± 1/2	±1	±2
60	0 to 15	± 1/2	±1	±2
	15 to 45	± 1/2	± 1/2	±1
	45 to 60	± 1/2	±1	±2
100	0 to 25	± 1/2	±2	±3
	25 to 75	± 1/2	±1	±2
	75 to 100	± 1/2	±2	±3
160	0 to 40	±1	±2 1/2	±5
	40 to 120	±1	±1 1/2	±3
	120 to 160	±1	±2 1/2	±5
200	0 to 50	±1	±3	±6
	50 to 150	±1	±2	±4
	150 to 200	±1	±3	±6
400	0 to 100	±2	±6	±12
	100 to 300	±2	±4	±8
	300 to 400	±2	±6	±12
600	0 to 150	±3	±9	±18
	150 to 450	±3	±6	±12
	450 to 600	±3	±9	±18
1 000	0 to 250	±5	±15	±30
	250 to 750	±5	±10	±20
	750 to 1 000	±5	±15	±30
2 000	0 to 500	±10	±30	±60
	500 to 1 500	±10	±20	±40
	1 500 to 2 000	±10	±30	±60

NOTE: The same calculation factor can be applied for other ranges.

RANGES AND GRADUATIONS CHART FOR PITANCO PRECISION GAUGES

Range Code	Range	Figure Intervals psi	Graduation psi	Minor Graduation psi	Figure Intervals kPa	Graduation kPa	Minor Graduation kPa
01	-30" Hg-0/-100 to 100kPa	5 Hg	2,5 Hg	0,5 Hg	20	10	2
02	30" Hg à 15psi/-100 to 100kPa	5 Hg 3	1 Hg 1	- 0,5	50	25	5
04	-30" Hg to 60psi/-100 to 400kPa	10 Hg 10	5 Hg 5	- 1	100	50	10
05	30" Hg à 100psi/-100 to 700kPa	30 Hg 10	10 Hg 2	5 Hg -	100	50	10
06	-30" Hg à 160psi/-100 to 1 100kPa	30 Hg 20	10 Hg 10	5 Hg 5	100 200	10 100	- 20
07	-30" Hg to 200psi/-100 to 1 400kPa	30 Hg 20	10 Hg 10	5 Hg 5	100 200	20 100	- 20
08	-30" Hg to 300psi/-100 to 2 000kPa	30 Hg 50	10 Hg 25	- 5	100 500	50 250	- 50
09	0-15psi/100kPa	3	1	0.20	20	10	2
10	0-30psi/200kPa	5	2.5	0.50	50	25	5
11	0-60psi/400kPa	10	5	1	100	50	10
12	0-100psi/700kPa	10	5	1	100	50	10
13	0-160psi/1 100kPa	20	10	2	200	100	20
14	0-200psi/1 400kPa	20	10	2	200	100	20
15	0-300psi/2 000kPa	50	25	5	500	250	50
16	0-600psi/4 000kPa	100	50	10	1 000	500	100
17	0-1 000psi/7 000kPa	100	50	10	1 000	500	100
18	0-1 500psi/10 000kPa	300	100	20	2 000	1 000	200
19	0-3 000psi/20 000kPa	500	250	50	5 000	2 500	500
20	0-5 000psi/35 000kPa	500	250	50	5 000	2 500	500
21	0-10 000psi/70 000kPa	1000	500	100	10 000	5 000	1 000
22	0-2 000psi/14 000kPa	200	100	20	2 000	1 000	200
23	0-400psi/2 750kPa	50	25	5	500	250	50
24	0-40psi/275kPa	5	2.5	0.5	0.5	0.25	0.05
25	0-6 000psi/40 000kPa	1000	500	200	10 000	5 000	1 000
26	0-15 000psi/100 000kPa	3000	1000	200	20 000	10 000	2 000
28	0-4 000psi/27 500kPa	500	250	50	5 000	2500	500
30	-30" Hg-0/ 0 to 150psi -40/85°F	20	10	5			
31	300psi -60/20°F	30	5				
5psi	0-5psi/35kPa	1	0.5	0,10	5	1	0.5
10psi	0-10psi/70kPa	2	1	0,20	10	5	1
15WV	0-15" water vacuum	3	1	0,5			
32WV	0-32" water vacuum	4	0,80	-			
55WV	-55" water vacuum	10	5	5			
100WV	0-100" water vacuum	20	10	2			
15WO	0-15" water/oz	3	1	0,20	2	1	0,20
32WO	0-32" water/oz	5	1	0,5	2	1	0,20
55WO	0-55" water/oz	10	5	1	5	1	0,5
100WO	0-100" water/oz	20	10	2	10	5	1
200WO	0-200" water/oz	40	20	5	20	10	2
300WO	0-300" water/oz	50	10	5	20	10	2

CONVERSION TABLE

Method of using the conversion table:

- 1) Find the unit of measure to be converted from the left column.
- 2) Multiply the appropriate pressure by the factor shown under the corresponding unit of measure from the top row to obtain the desired conversion.

Example: How to obtain 150 psi in kPa?
 150 (psi) x 6,894757 (kPa) = 1,034,22 kPa

To From	psi	kPa	bar	Kg/cm ²	mpa	mbar	in hg	cm hg	mm hg	in H ₂ O	cm H ₂ O	oz/in ²	ft H ₂ O	m H ₂ O	mm H ₂ O	atm
psi	1	6.894757	0.06894757	0.070306958	0.0069	68.95	2.03602	5.71486	51.71486	27.68088	70.308927	16	2.306723	0.70308927	703.8	0.0689046
kPa	0.1450377	1	0.01	0.01019716	0.001	10	0.2952997	0.75	7.500610	4.014742	10.19745	2.320603	0.3345618	0.1019745	102.07	0.009866924
bar	14.5038	100	1	1.019716	0.1	1000	29.53	75	750.0626	401.8596	1019.7466	232.0608	33.4833	10.197466	10,210	0.986923
Kg/cm ²	14.223343	98.066494	0.9806650	1	0.0981	980.7	28.95901	73.56	735.5588	393.711806	1000.028	227.57349	32.809312	10.00028	100,010	0.967841598
mpa	145.04	1000	10	10.2	1	10,000	295.3	750	7500	4019	10,207	2321	334.56218	101.9748043	102,074	9.869
mbar	0.0145	0.1	0.001	0.00102	1	1	0.0295	0.075	0.75	0.4012	1.021	0.2321	0.0334562	0.00101972	10.21	0.000987
in hg	0.4911542	3.386389	0.03386389	0.0345316	0.00339	33.86	1	2.54	25.4	13.595484	34.53253	7.85847	1.132957	0.3453253	345.7	0.0334211
cm hg	0.1934	1.333	0.01333	0.0136	0.00133	13.33	0.394	1	10	5.358	13.61	3.10	0.4460463	0.13595509	136.1	0.01316
mm hg	0.0193368	0.1333225	0.00133323	0.00135951	0.000133	1.333	0.039370079	0.1	1	0.535255	1.359554	0.3093888	0.0446046	0.01359554	13.61	0.001315790
in H ₂ O	0.0361263	0.2490819	0.00249	0.00254219	0.00025	2.488	0.0735539	0.187	0.0735539	1	2.54	0.578020	0.08333	0.0254	25.4	0.00245825
cm H ₂ O	0.0142229	0.980634	0.0098064	0.0099997	0.0001	0.98	0.0289561	0.0735	0.7355372	0.3937	1	0.227566	0.032808	0.01	10	0.000967814
oz/in ²	0.0625	0.4309223	0.00430922	0.04394308	0.00043	4.31	0.12725125	0.323	3.23218	1.73004	4.394308	1	0.14417	0.04394308	43.986	0.004252875
ft H ₂ O	0.433515	2.988981	0.02988981	0.03037912	0.002988981	29.88981	0.882646	2.24192	22.4192	12	30.48	6.93624	1	0.3048	304.80	0.02949896
m H ₂ O	1.42229	9.8063439	0.98066494	0.099997	0.009806344	980.66494	2.89581	7.35557	73.55372	39.370079	100	22.7566	3.2808399	1	1000	0.0967814
mm H ₂ O	0.001421	0.0098	0.00098	0.0001	0.00001	0.098	0.00289	0.00735	0.0735	0.0394	.1	0.3093888	0.0032808	0.001	1	0.000097
atm	14.696	101.32535	1.0132535	1.033231	0.1013	1013	299.213	76	760	406.794	1033.2633	235.136	33.8995	10.332633	10,343	1

OPERATION AND MAINTENANCE OF A PRESSURE GAUGE

Inspection Frequency

The frequency of inspection is dependent on the severity of service and how critical the accuracy of the indicating pressure. The inspection frequency can range from monthly to annual basis. To ensure the accuracy of your pressure readings, it is strongly recommended that all pressure gauges be recalibrated and certified at least annually. Pitanco Instruments/Pitanco Precision can provide test certification that are traceable to the National Institute of Standards and Technology (NIST).

Isolating Valves

It is recommended that isolating valves be fitted with the gauge. This enables the gauge to be removed at any time for checking, recalibration or replacing without interruption to the process. The valves should be opened or closed slowly to avoid sudden changes to pressure being applied to the gauge. It is recommended for systems that have an abrupt pressure surge at start-up to close the valves during initial start-up. Pitanco Precision carries various types of valves. Materials Brass wetted parts are suitable for use on the following types of media: air, oil, water and other non-corrosive fluids. For corrosive fluids, consulting Pitanco Precision for special applications is recommended as diaphragm seals may also be considered.

Pulsations

If pressures are expected to pulsate violently, oscillate with high frequency or occur with sudden shocks, a snubber should be considered. Pitanco Precision snubbers incorporate a sintered porous 316 stainless steel snubbing element with a large surface area to ensure long term effectiveness on most pressure media. Snubbers are available in three viscosity classifications: Heavy Oil (O), Water (W) and/or Air (A).

Temperatures

Normal ambient temperature is -40°F to 150°F for dry gauges. Medium temperature for -40°F to 200°F for dry gauges, -4°F to 150°F for glycerin filled ones and -40°F to 200°F for Silicone ones. Processes with temperature exceeding 200°F can be accommodated with the use of some kind of external cooling such as pig tails or cooling towers. In situations where the process temperature is extreme, the use of diaphragm seals with or without capillaries may be necessary. In general, a gauge is unduly hot if it cannot be grasped by hand without discomfort. It should be noted that gauges used on water might burst if exposed to frost.

Vibrations

Vibration can affect the dial reading of pressure gauges so must be avoided as much as possible. Vibration effects can be minimized with the use of a dampening liquid such as glycerin or silicone. If vibration is extreme, a flexible capillary connected to a diaphragm seal may be considered.

Mounting

A suitable thread sealant is required for NPT threads such as pipe dope or PTFE tape. The gauge should only be installed by hand only until the first 2 threads engage. This will allow the gauge socket thread to be seated correctly. The use of 2 open-ended wrench should be used on the socket flats to tighten the gauge and ensure no damages to the gauge.

IMPORTANT

- 1) **DO NOT tighten the gauge completely by hand, you will severely damage it!**
- 2) **The use of a swivel coupling is required in order for the gauge reading to face you!**

Venting Procedures

Due to pressure build-up, some gauges (usually lower pressure ranges such as vacuum, up to 100 psi) may reflect a reading that is slightly "off zero". To properly "vent" the pressure gauge, cut off the tip of the fill plug after you have installed the instrument. This allows the gauge to be equal to the atmospheric pressure. Venting can also be achieved by lifting the vent plug for a moment, squeezing the window and back and re-seat (closing) it.

In either case, the gauge should be installed in an upright position to avoid the liquid from leaking.



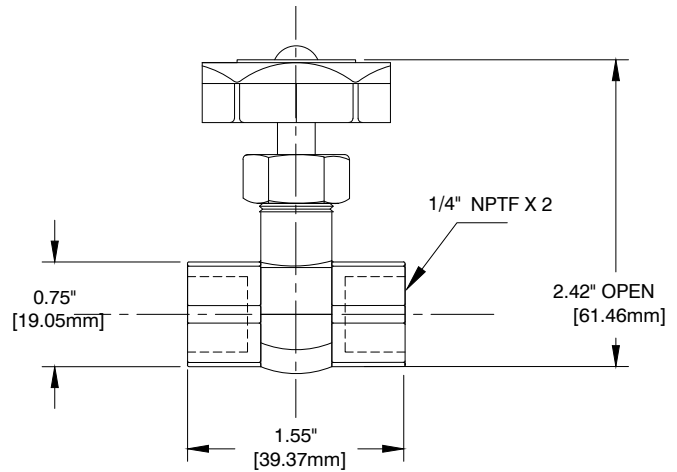
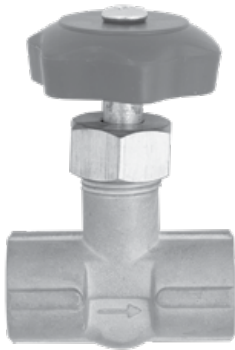


Accessories



**FORGED BRASS NEEDLE VALVE
MODEL NV25FFB**

Illustrated model: NV25FFB



Specifications

Housing:	Forged brass #59-1
Handle:	ABS red plastic
O-ring:	Rubber
Operating pressure:	0 to 400 psi / 0 to 2 758 kPa
Operating temperature:	-9 to 212°F / -23 to 100°C

Connection

¼ in nptf x ¼ in nptf

Product code

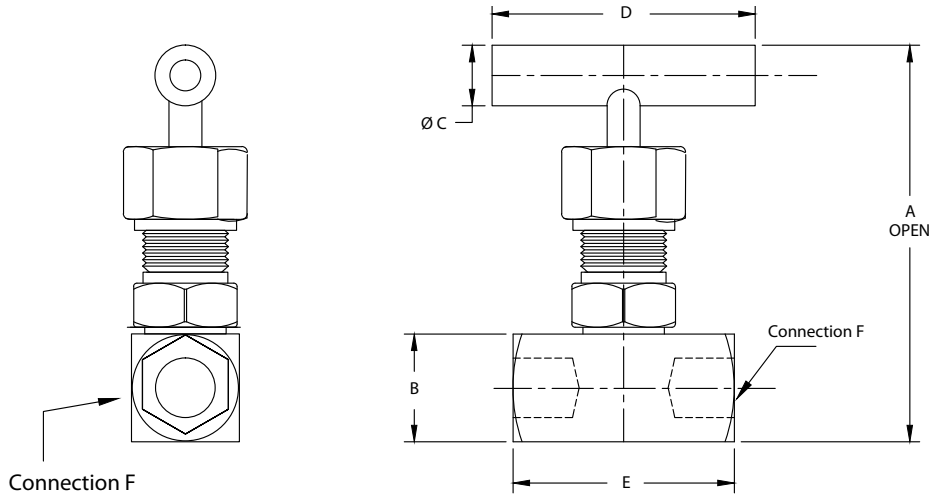
NV25FFB

ONE PIECE BRASS OR 316 STAINLESS STEEL NEEDLE VALVE
MODELS NVB AND NVSS316

Illustrated model: NV25FFSS316



Illustrated model: NV50FFB



Specifications

Housing:	One piece brass	One piece 316 stainless steel
Packing:	Stainless Steel	Teflon
Stem:	Brass	316 Stainless Steel
Operating pressure:	0 to 2 000 psi / 13 790 kPa	0 to 6 000 psi / 41 369 kPa
Operating temperature:	< 300°F / 150°C	< 500°F / 250°C

Connection	Product code	Product code
¼ in nptf x ¼ in nptf		NV25FFSS316
½ in nptf x ½ in nptf	NV50FFB	NV50FFSS316
¾ in nptf x ¾ in nptf		NV75FFSS316
1 in nptf x 1 in nptf		NV100FFSS316

Notes

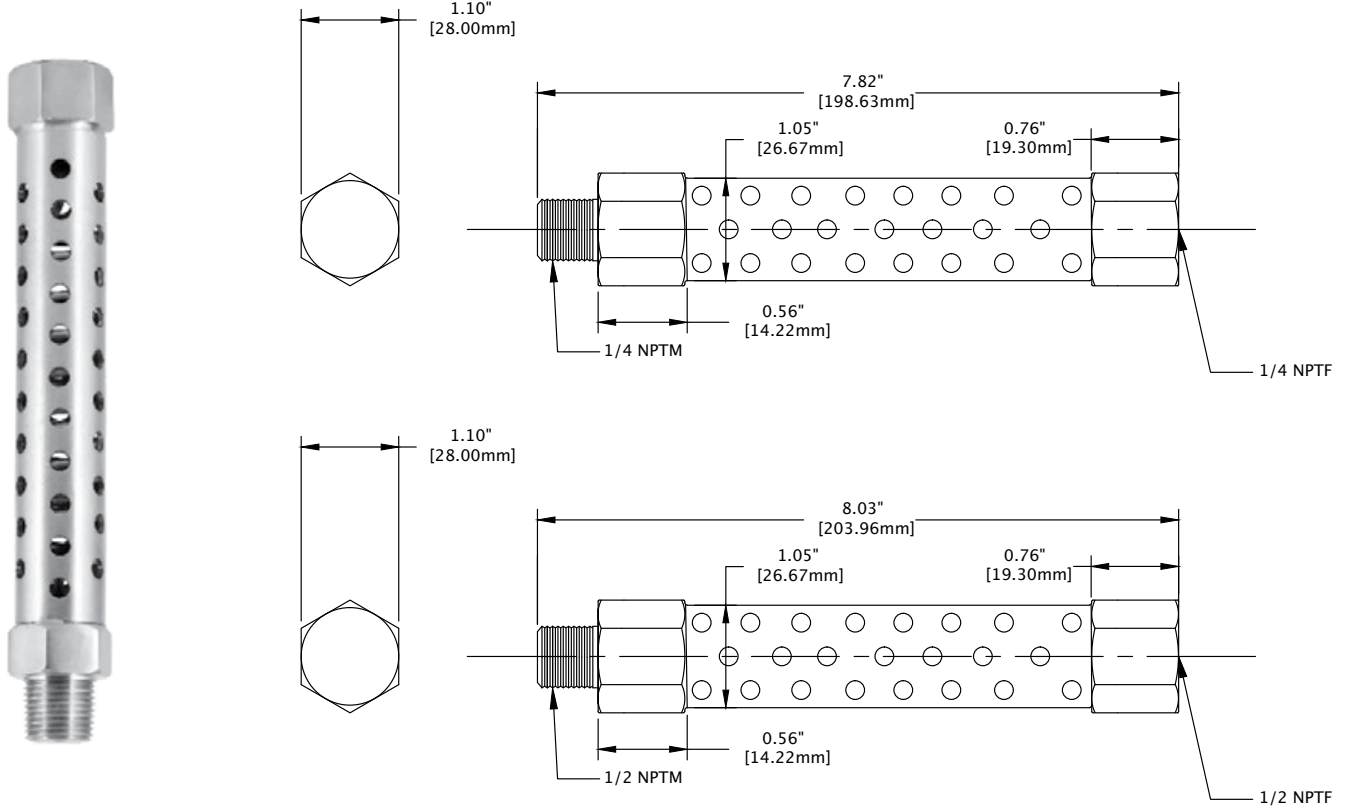
Conical stem which penetrates more or less in an orifice and serves to adjust the flow of a non-corrosive fluid. It is always recommended to install a mini ball valve or a needle valve on a line before each pressure gauge installation.

Dimensions as per diagram

Model	A	B	Ø C	D	E	Connection F
NV25FF	3,85 in (97.9 mm)	0,98 in (24.9 mm)	0,56 in (14.2 mm)	2,38 in (60.5 mm)	1,98 in (50.3 mm)	¼ in nptf
NV50FF	4,19 in (106.4 mm)	1,12 in (28.4 mm)	4,19 in (106.4 mm)	2,25 in (57.2 mm)	2,34 in (59.4 mm)	½ in nptf
NV50FFB	4,03 in (102.4 mm)	1,18 in (30.0 mm)	0,47 in (11.9 mm)	2,17 in (55.1 mm)	2,24 in (56.9 mm)	½ in nptf
NV75FF	3,98 in (101.1 mm)	1,37 in (34.8 mm)	0,47 in (11.9 mm)	2,25 in (57.2 mm)	2,6 in (66.0 mm)	¾ in nptf
NV100FF	4,83 in (122.7 mm)	1,75 in (44.5 mm)	0,63 in (16.0 mm)	3,5 in (88.9 mm)	2,83 in (71.9 mm)	1 in nptf

COOLING TOWER MODEL CTSS

Illustrated model: CTSS-50



Specifications

Housing:	316 Stainless Steel
Maximum operating pressure:	5 000 psi / 725 kPa
Maximum operating temperature:	750°F / 400°C

Connection	Product code
¼ in nptf x ¼ in nptm	CTSS-25
½ in nptf x ½ in nptm	CTSS-50

Notes

- 1) Used to cool fluid or media when product temperature exceeds maximum instrument temperature. The cooling of the media also depends on the ambient temperature. Usually the temperature drop ratio would be +/- 6: 1.

MINI BALL VALVE MODEL MBV

Illustrated model: MBV25R

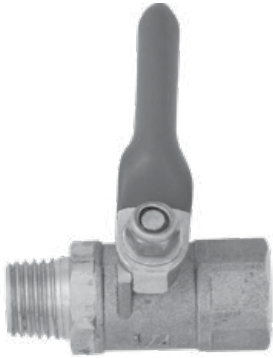
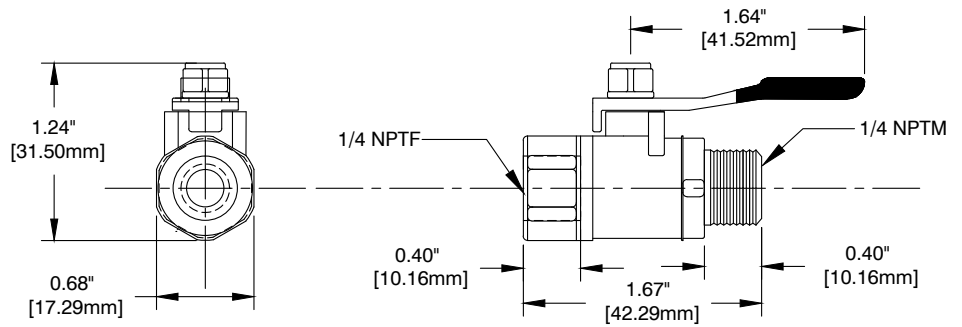


Diagram: MBV25L



Specifications

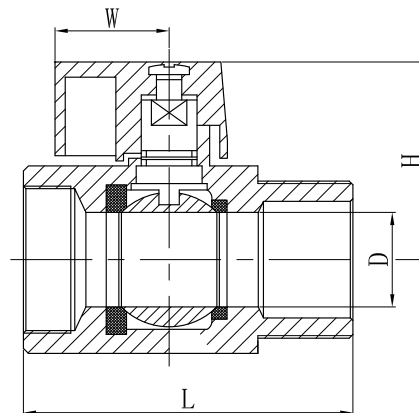
Housing:	Brass	
Packing:	Teflon	
Maximum operating pressure:	600 psi / 4 137 kPa	
Maximum operating temperature:	250°F / 120°C	
Opening:	Left turn	Right turn
Certification:	Canadian Registration Number (CRN) for all provinces.	

Connection	Product code	Product code
1/4 in nptf x 1/4 in nptm	MBV25L	MBV25R

Notes

- 1) The mini ball valve is an economical way to protect and stop the flow of air or fluid into the pressure gauge.
- 2) It is always recommended to install a mini ball valve or a needle valve on a line before each pressure gauge installation.

MINI BALL VALVE, NPTF x NPTM, 1000 WOG, CRN APPROVED MODEL MBVSS25

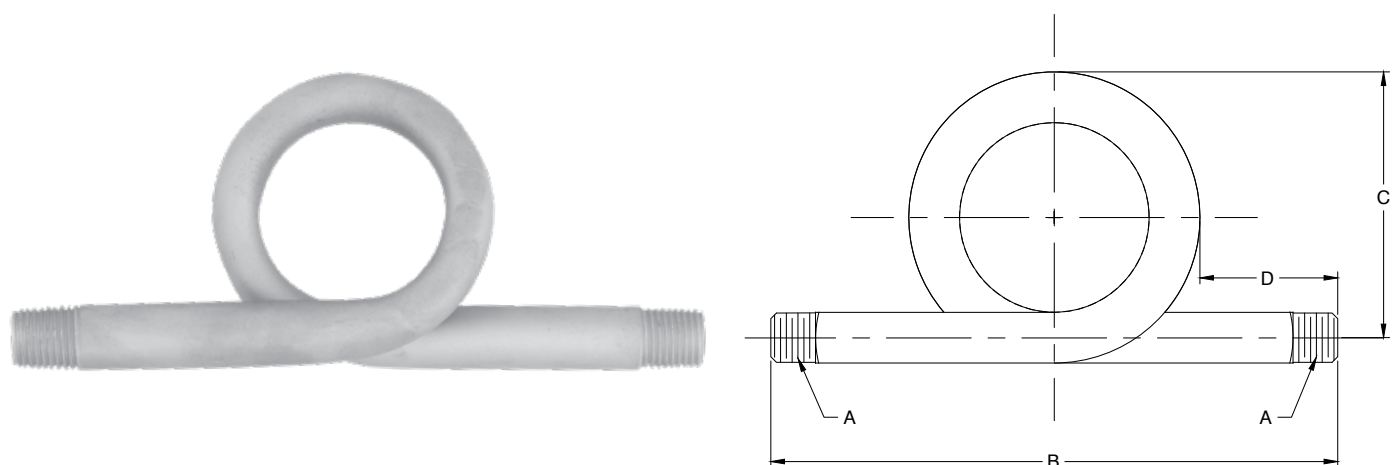


Size	DIMENSIONS as per diagram				304 stainless steel	316L Stainless Steel
	OD	L	D	H	W	Product code
0,25"	1,6535"	0,2756"	1,0236"	0,9055"	MBVSS25-4	MBVSS25-6L

Notes

- 1) Other thread available upon request.

PIGTAIL SIPHONS



Specifications

Material	Connection	* Maximum pressure	* Temperature calculated at	Product code
Black steel schedule 40	¼ nptm x ¼ nptm	679 psi	650°F / 343°C	SI25A-40
Black steel schedule 80		1 046 psi		SI25A-80
Galvanised steel schedule 40		679 psi		SI25GV-40
Galvanised steel schedule 80		1 046 psi		SI25GV-80
Brass		245 psi	400°F / 204°C	SI25B
304 stainless steel schedule 40		462 psi	650°F / 343°C	SI25304-40
316 Stainless Steel schedule 40		475 psi		SI2316-40
304 stainless steel schedule 80		1 569 psi		SI25304-80
316 Stainless Steel schedule 80	475 psi	SI25316-80		
Black steel schedule 40	½ nptm x ½ nptm	1 117 psi	650°F / 343°C	SI50A-40
Black steel schedule 80		2 419 psi		SI50A-80
Galvanised steel schedule 40		1 117 psi		SI50GV-40
Galvanised steel schedule 80		2 419 psi		SI50GV-80
Brass		245 psi	400°F / 204°C	SI50B
304 stainless steel schedule 40		760 psi	650°F / 343°C	SI50304-40
304 stainless steel schedule 80		1 645 psi		SI50304-80
316 Stainless Steel schedule 40		782 psi		SI50316-40

Notes

- 1) Pigtail siphons are installed on steam line in order to protect the pressure gauge and related connections from the medium. The curved part of the siphon generates a condensation formation that remains in the curved part of the siphon to protect the measuring instrument.
- 2) It is imperative to use a pigtail siphon on all devices when the temperature of the medium is 100°C (212°F) or more, it allows the hot medium to cool before entering the pressure instrument.
- 3) * **Pressure and temperature may vary.**

Dimensions as per diagram

Model	A	B	C	D
SI25	¼ nptm x ¼ nptm	5,80 in (147,32 mm)	2,23 in (56,64 mm)	1,70 in (43,18 mm)
SI50	½ nptm x ½ nptm	8,2 in (208,28 mm)	4,05 in (102,87 mm)	2,05 in (52,07 mm)

PTT (Test plug or Pete's Plug®)
Pressure, temperature test plug



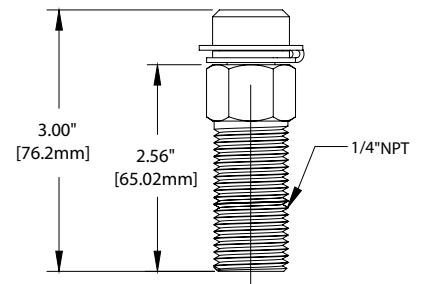
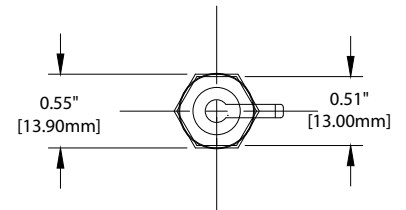
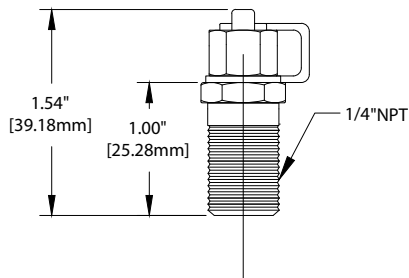
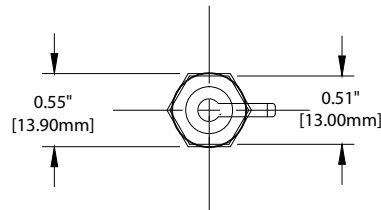
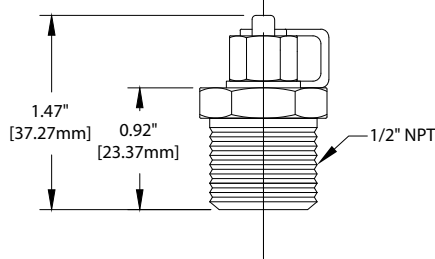
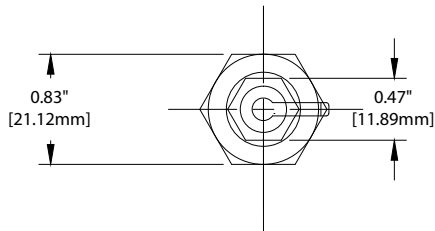
Illustrated model: PTPP-50B



Illustrated model: PTPP-25B



Illustrated model: BNO-253R



Specifications

Housing:	Brass
Diaphragm:	EPDM
Connection:	¼ or ½ nptm
Cap retainer:	Plastic
Maximum operating pressure:	1 000 psi (6 894 kPa)
Maximum process temperature:	350°F (176°C)

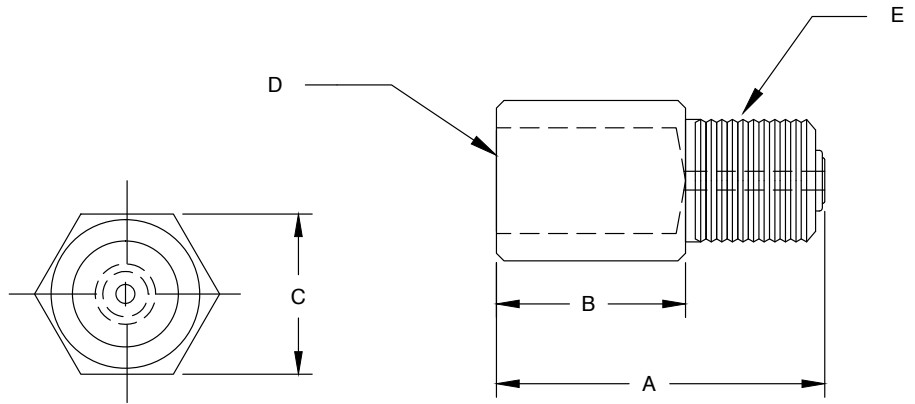
Connection	Product code
1/4 in nptm	PTTP-25B
	BNO-253R
1/2 in nptm	PTTP-50B
Pressure gauge adapter for Pete's plug®	GA-125PG

Notes

1) The PTT test plug facilitates quick pressure and temperature reading at recommended test points without disturbing the process.

SNUBBER MODEL SN

Illustrated model: SN



Specifications

Housing:	Brass or 304 stainless steel
Connection:	¼ in nptm x ¼ in nptf or ½ in nptm x ½ in nptf
Snubber element:	Sintered porous type 304 stainless steel. 10µ (W) / 5µ (A) / 40µ (O)
Operating pressure:	Brass: 10 000 psi (68 950 kPa) 304 stainless steel: 20 000 psi (137 900 kPa)
Explosion (pressure):	Brass: 30 000 psi (206 850 kPa) 304 stainless steel: 45 000 psi (413 700 kPa)
Maximum operating temperature:	Brass: -58 to 536°F (-50 to 280°C) 304 stainless steel: -319 to 1 472°F (-195 to 800°C)

Dimensions as per diagram

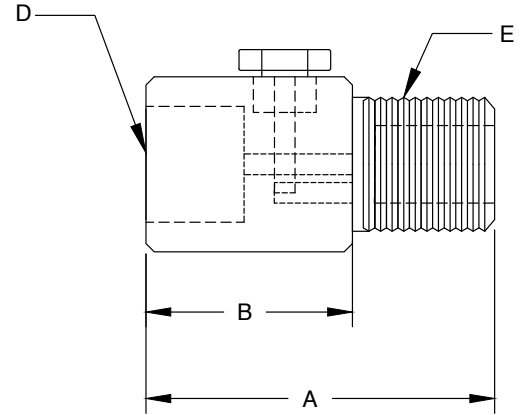
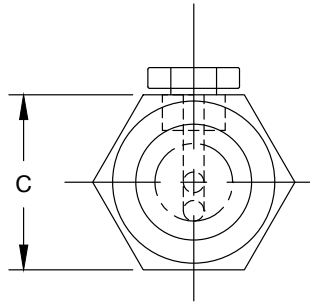
Model	A	B	C	D	E
SN25	1,65 in (25,4 mm)	1 in (25,4 mm)	0,75 in (19 mm)	¼ in nptf	¼ in nptm
SN50	2,17 in (55,1 mm)	1,25 in (31,75 mm)	1,06 in (26,9 mm)	½ in nptf	½ in nptm

To order, use the code in the corresponding column

Connection		Product code	
1/4 in nptm x 1/4 in nptf	Brass	Air	SN25B-A
		Oil	SN25B-O
		Water	SN25B-W
	SS304	Air	SN25304-A
		Oil	SN25304-O
		Water	SN25304-W
1/2 in nptm x 1/2 in nptf	Brass	Air	SN50B-A
		Oil	SN50B-O
		Water	SN50B-W

ADJUSTABLE SNUBBER MODEL SNAJ

Illustrated model: SNAJ



Specifications

Housing:	Brass or 316 Stainless Steel
Connection:	¼ in nptm x ¼ in nptf or ½ in nptm x ½ in nptf
Adjustable stem: (warning)	Do not adjust more than two turns from closed position (may cause leaking)
Temperature rating:	-22 to 392°F / -30 to 200°C
Pressure rating:	Brass or 316 Stainless Steel: 6 000 psi (41 368 kPa)

Dimensions as per diagram

Model	A	B	C	D	E
SNAJ25	2,04 in (51,8 mm)	1,47 in (37,33 mm)	0,75 in (19 mm)	¼ in nptf	¼ in nptm
SNAJ50	2,39 in (60,7 mm)	1,65 in (41,9 mm)	1,25 in (31,75 mm)	½ in nptf	½ in nptm

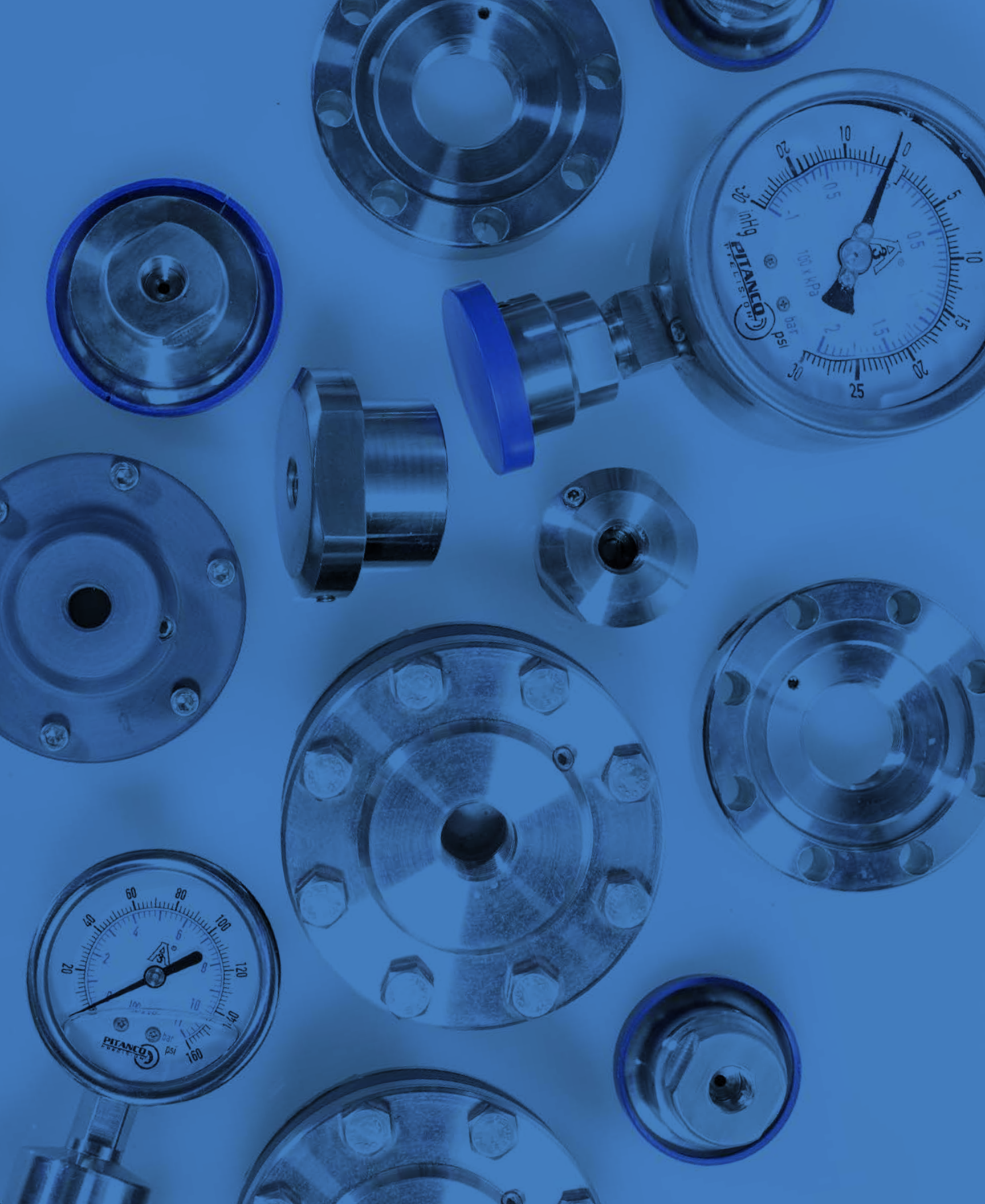
To order, use the code in the corresponding column

Connection		Product code
1/4 in nptm x 1/4 in nptf	Brass	SNAJ25-B
	SS316	SNAJ25-316
1/2 in nptm x 1/2 in nptf	Brass	SNAJ50-B
	SS316	SNAJ50-316



A close-up photograph of a metal diaphragm seal assembly. The central focus is a cylindrical metal component with a threaded nozzle extending from its side. The nozzle has a fine, helical thread pattern. The background is a blurred industrial setting with various metal parts and machinery. The overall color palette is dominated by shades of blue and grey.

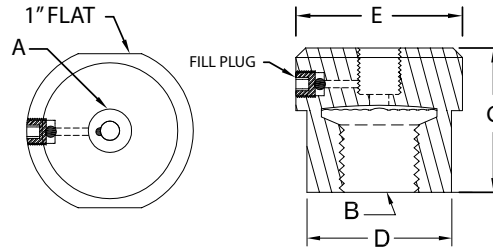
Diaphragm seals



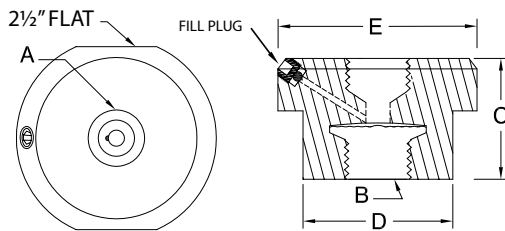
MINI DIAPHRAGM SEALS, CRN APPROVED

MODELS MD175, MD250, MD251 AND MD250LP

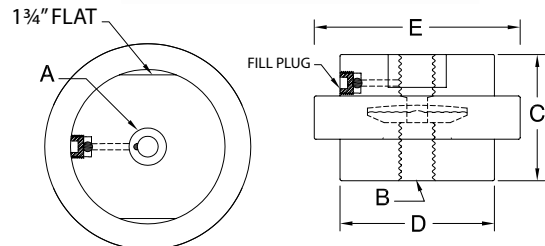
Illustrated model: MD175



Illustrated model: MD250



Illustrated model: MD250LP



Specifications

Body construction:	1 piece 316 stainless steel
Diaphragm:	Welded 316 stainless steel
Operating pressure:	From -30 to 60 psi use MD250LP, from 100 to 2000 psi or equivalence use model MD175, MD250 or MD251
Process connection:	¼, ½, ¾, 1 in nptf (1 in available only with MD250 and MD250LP)
Instrument connection:	¼ or ½ in nptf
Compliance:	According to ASME B40.100 (B40.2)

To order, use the code in the corresponding column

Dimensions as per diagram

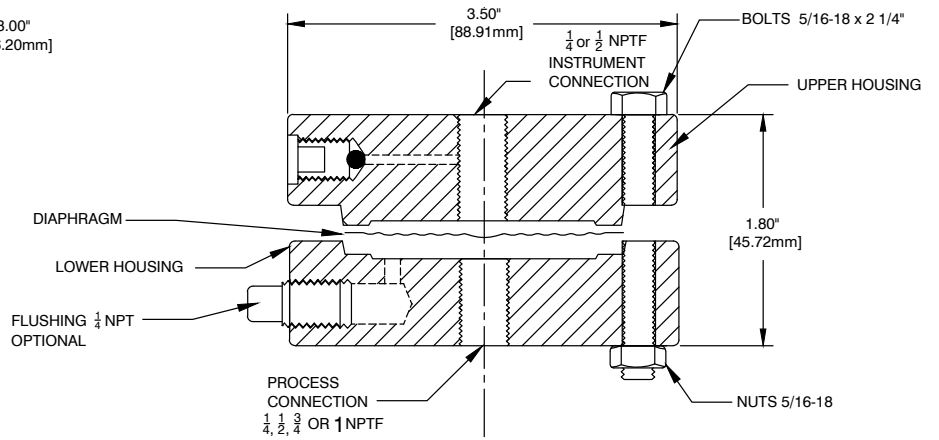
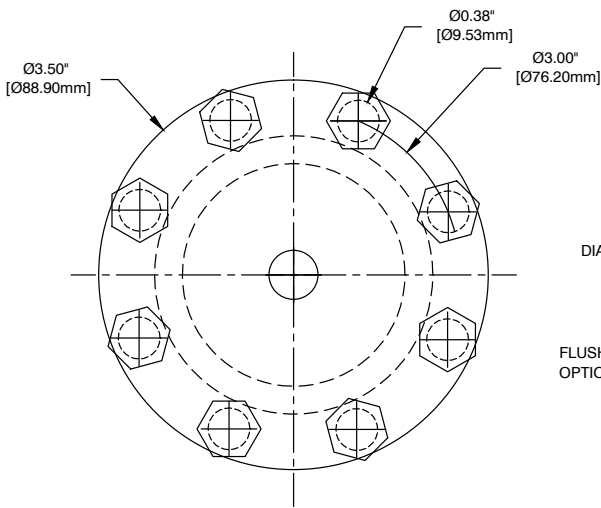
A Instrument connection	B Process connection	Code	C	D	E	Product code		
MD175								
¼ in nptf	¼ in nptf	01	1,5 in (38,1 mm)	1,73 in (43,9 mm)		MD175-01		
	½ in nptf	02				MD175-02		
½ in nptf	½ in nptf	05				MD175-05		
	¾ in nptf	06				MD175-06		
MD250, MD251 AND MD250LP								
						Without flushing port		With flushing port
¼ in nptf	¼ in nptf	01	1,5 in (38,1 mm)	1,86 in (47,2 mm)	2,5 in (63 mm)	MD250-01	MD250-01LP	
	½ in nptf	02				MD250-02	MD250-02LP	MD251-02
	1 in nptf	04				MD250-04	MD250-04LP	
½ in nptf	½ in nptf	05				MD250-05	MD250-05LP	MD251-05
	1 in nptf	07				MD250-07		

Notes

- 1) For pressure less than 60 psi (400kPa), use only the MD250LP series. 2) Always include a filling according to the application (see page G41).

DIAPHRAGM SEAL, CRN APPROVED MODEL D400

Illustrated model: D400



Specifications

Housing:	316 stainless steel
Diaphragm:	316 stainless steel (Std), Teflon and Viton available upon request
Operating pressure:	-30 to 60 psi model with low pressure diaphragm, from 60 to 2,500 psi or equivalence (see chart).
Process connection:	1/4, 1/2, 3/4 and 1 in nptf with or without flushing port
Instrument connection:	1/4 or 1/2 in nptf
Compliance:	According to ASME B40.100 (B40.2)

DIAPHRAGM SEAL (CONTINUED)

MODEL D400

To order, use the code in the corresponding column

Instrument connection Upper housing	Code	Material	Low pressure -30 in Hg to 60 psi	Pressure 60 to 2,500 psi
			Product code	Product code
¼ in nptf	08	316 Stainless Steel	D400USS-08LPHT	D400USS-08HT
		316 Stainless Steel welded diaphragm		D400USS-08WHT
½ in nptf	09	316 Stainless Steel	D400USS-09LPHT	D400USS-09HT
		316 Stainless Steel welded diaphragm		D400USS-09WHT
Process connection Lower housing	Code	Material	Without flushing port	With flushing port
			Product code	Product code
¼ in nptf	01	316 Stainless Steel	D400LSS-01HT	D401LSS-01HT
½ in nptf	02		D400LSS-02HT	D401LSS-02HT
¾ in nptf	06		D400LSS-06HT	D401LSS-06HT
1 in nptf	04		D400LSS-04HT	D401LSS-04HT

Notes

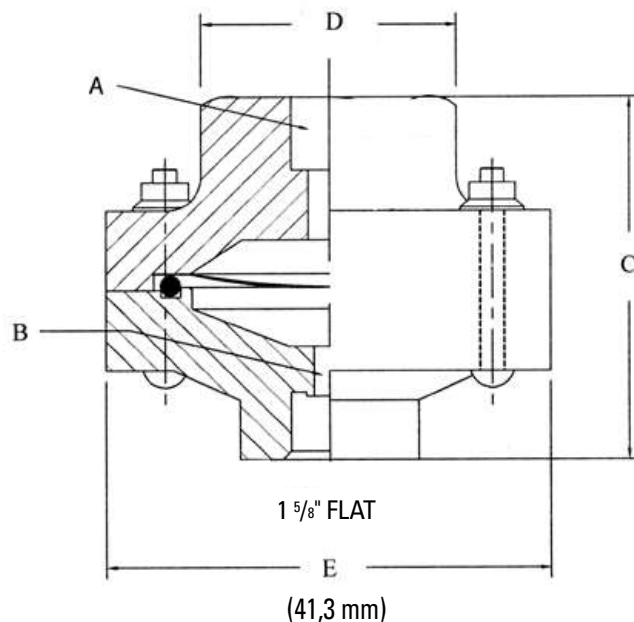
1) For pressure less than 60 psi (400kPa), use only the D400USS-LP series and Viton diaphragm.

2) Always include a filling according to the application (see page G41).

Option for diaphragm seal model D400

Material	Product code
316 Stainless Steel	CAPS316SS
Teflon	CAPSTEFLO
Viton	CAPSVITON

POLYVINYL CHLORIDE (PVC) DIAPHRAGM SEAL
MODELS 250PVC AND 300PVC-LP



Specifications

Body construction:	PVC
Diaphragm:	Model 250PVC: Teflon / 300PVC-LP: Viton
Operating pressure:	250PVC: 30 to 200 psi / 300PVC-LP: vacuum to 30 psi or equivalence
Process connection:	¼ or ½ nptf standard, other sizes available upon request
Instrument connection:	¼ or ½ in nptf
Compliance:	According to ASME B40.100(B40.2)

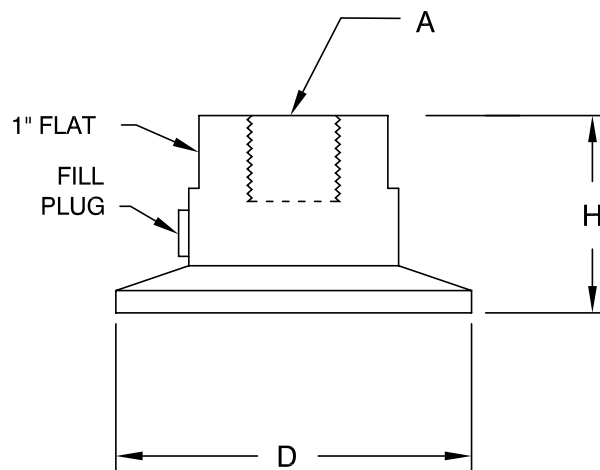
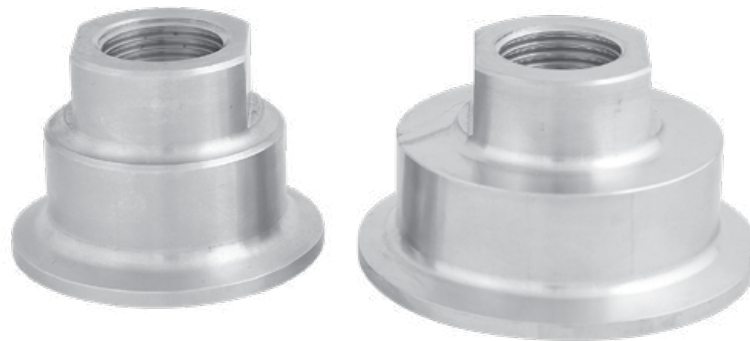
MODEL	A Instrument connection	B Process connection	Code	C	D	E	Product code
250PVC	¼ in nptf	¼ in nptf	01	2 in (50,8 mm)	1,5 in (38,1 mm)	2,5 in (63 mm)	250PVC-01
		½ in nptf	02				250PVC-02
300PVC-LP -30 in Hg to 60 psi		¼ in nptf	01			3,266 in (82,81 mm)	300PVC-LP01
		½ in nptf	02				300PVC-LP02

Notes

1) Always include a filling according to the application (see page G41).

SANITARY DIAPHRAGM SEAL, CRN APPROVED
MODELS DTC150SS AND DTC200SS

Illustrated model: DTC150SS AND DTC200SS



Specifications

Body construction:	1 piece 316 stainless steel
Diaphragm:	Welded 316 stainless steel
Operating pressure:	30 to 1,000 psi or equivalence
Process connection:	1 ½ in (40 mm) or 2 in (50 mm) sanitary Tri-clamp® connection ⁽¹⁾
Instrument connection:	¼ in or ½ in nptf
Compliance:	According to ASME B40.100(B40.2)

To order, use the code in the corresponding column

Dimensions as per diagram

Tri-Clamp size	A	D	H	Product code
1,5 in (40 mm)	¼ in nptf	2 in (50,8 mm)	1,38 in (35 mm)	DTC150-25SS
	½ in nptf			DTC150-50SS
2 in (50 mm)	¼ in nptf	2,5 in (63,5 mm)		DTC200-25SS
	½ in nptf			DTC200-50SS

Notes

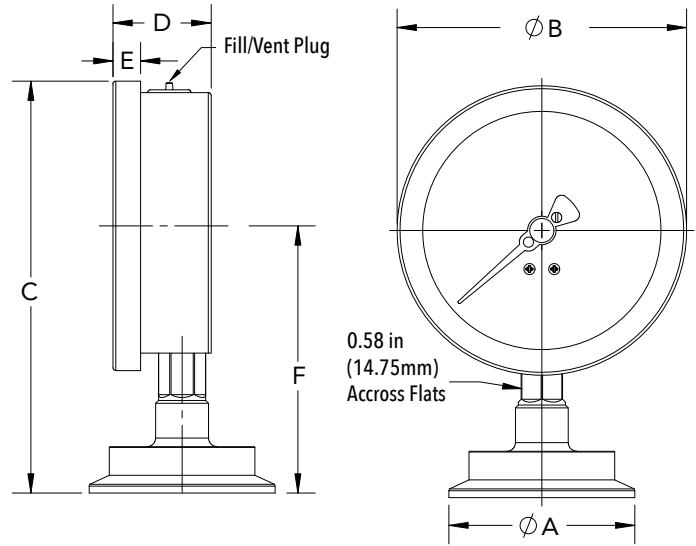
- 1) Tri-Clamp® is a registered trade mark of Tri-Clover®
- 2) Always include a filling according to the application (see page G41).

SANITARY GAUGE, 3A AND CRN APPROVED
MODELS SDTC150 AND SDTC200

Illustrated model: SDTC20025



Illustrated model: SDTC15040



Specifications

Gauge diameter:	2 ½ in (63 mm) and 4 in (100 mm)
Case:	Polished 304 stainless steel
Dial:	White aluminum with in Hg or psi in black, bar and kPa x 100 in blue
Ring:	Bayonet type, polished 304 stainless steel
Lens:	Polycarbonate
Pointer:	Black anodized aluminum, adjustable
Wetted parts:	316 Stainless Steel
Diaphragm seal fill:	Food grade glycerin
Case fill:	Food grade glycerin
Body construction:	1 piece polished 316 stainless steel
Diaphragm:	316 stainless steel welded
Operating pressure:	Maximum 75 % of full scale value
Process connection:	1 ½ in (40 mm) or 2 in (50 mm) sanitary Tri-clamp ^{®(2)}
Application reference:	Diaphragm seal ASME B40.100(B40.2) Grade 1A ± 1 % and pressure gauge ASME B40.100(B40.1) Grade 1A ± 1 %

Dimensions as per diagram

Model		A	B	C	D	E	F
SDTC15025	1,5 in Tri-Clamp / 2,5 in Gauge	2 in (51 mm)	2,68 in (68 mm)	4,21 in (107 mm)	1,22 in (31 mm)	0,37 in (9,5 mm)	2,88 in (73,2 mm)
SDTC15040	1,5 in Tri-Clamp / 4 in Gauge	2 in (50.5 mm)	3,91 in (99.4 mm)	5,39 in (137 mm)	1,34 in (34 mm)	0,37 in (9,5 mm)	
SDTC20025	2 in Tri-Clamp / 2,5 in Gauge	2,51 in (63.85 mm)	2,68 in (68 mm)	4,40 in (112 mm)	1,22 in (31 mm)	0,37 in (9,5 mm)	3,09 in (78,5 mm)
SDTC20040	2 in Tri-Clamp / 4 in Gauge	2,51 in (63.85 mm)	3,91 in (99.4 mm)	5,55 in (141 mm)	1,34 in (34 mm)	0,37 in (9,5 mm)	3,62 in (92 mm)

Notes

- 1) Other scales, types and models available upon request (+/- 16 weeks delivery).
- 2) Tri-Clamp[®] is a registered trade mark of Tri-Clover[®]

SANITARY GAUGE (CONTINUED)

MODELS SDTC150 AND SDTC200

To order, use the code in the corresponding column

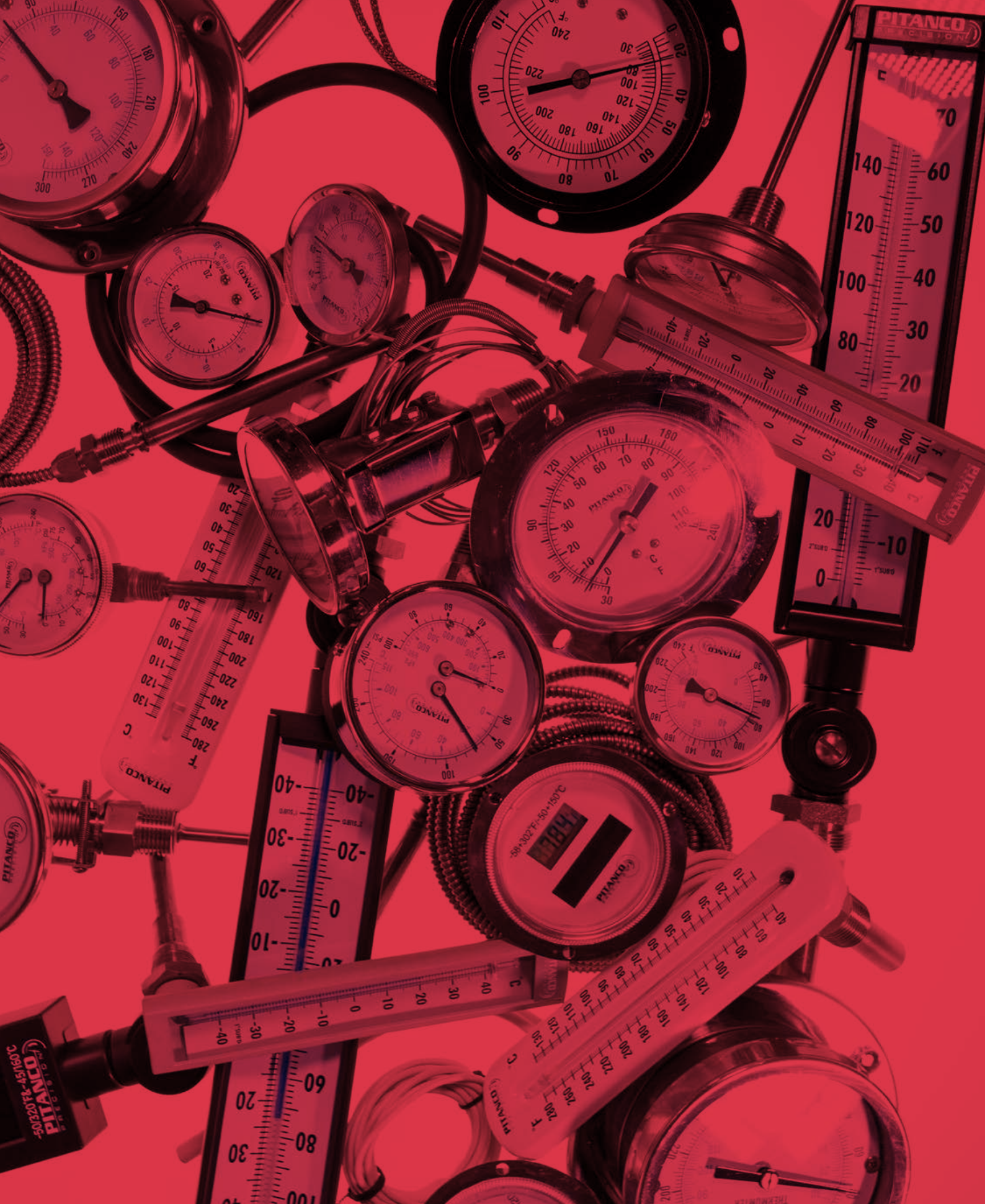
	TRI-CLAMP®		TRI-CLAMP®	
	1 1/2 in (40 mm)		2 in (50 mm)	
Gauge	2 1/2 in (63 mm) Ø	4 in (100 mm) Ø	2 1/2 in (63 mm) Ø	4 in (100 mm) Ø
Range	Product code	Product code	Product code	Product code
-30 in Hg to 30 psi/bar/kPa x 100	SDTC15025-03	SDTC15040-03	SDTC20025-03	SDTC20040-03
0 to 30 psi/bar/kPa x 100	SDTC15025-10	SDTC15040-10	SDTC20025-10	SDTC20040-10
0 to 60 psi/bar/kPa x 100	SDTC15025-11	SDTC15040-11	SDTC20025-11	SDTC20040-11
0 to 100 psi/bar/kPa x 100	SDTC15025-12	SDTC15040-12	SDTC20025-12	SDTC20040-12
0 to 160 psi/bar/kPa x 100	SDTC15025-13	SDTC15040-13	SDTC20025-13	SDTC20040-13
0 to 200 psi/bar/kPa x 100	SDTC15025-14	SDTC15040-14	SDTC20025-14	SDTC20040-14
0 to 300 psi/bar/kPa x 100	SDTC15025-15	SDTC15040-15	SDTC20025-15	SDTC20040-15
0 to 400 psi/bar/kPa x 100	SDTC15025-23	SDTC15040-23	SDTC20025-23	SDTC20040-23

Notes

- 1) Other scales, types and models available upon request (+/- 16 weeks delivery).
- 2) Tri-Clamp® is a registered trade mark of Tri-Clover®



Thermometers

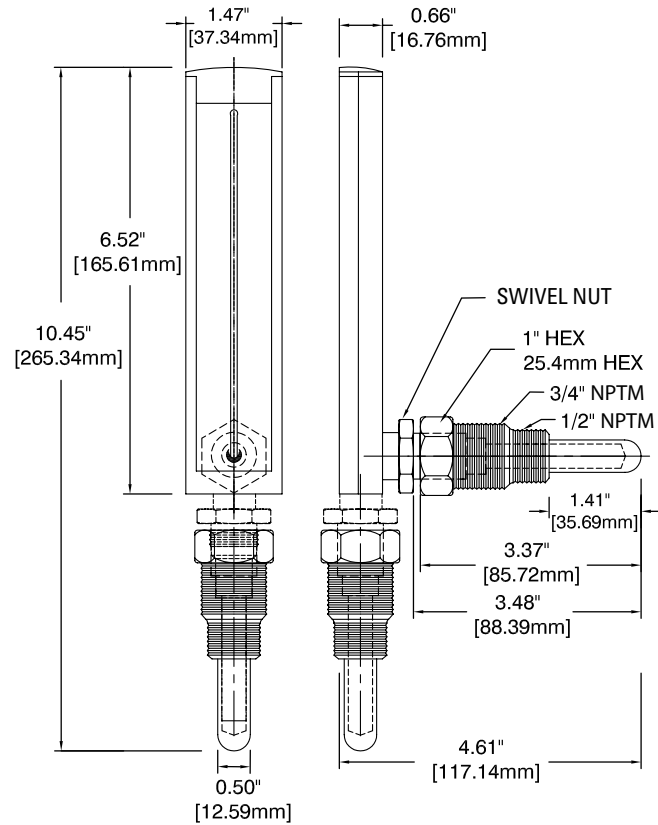


INDUSTRIAL 5 in THERMOMETER MODELS IT500A AND IT500S

Illustrated model: IT500A



Illustrated model: IT500S



Specifications

Case:	5 in (125 mm) impact resistant light gray plastic
Lens:	Standard glass
Stem:	Brass (Std), Lead Free Brass (-X), straight or 90° angle connection
Swivel nut:	Brass
Scale:	White aluminum, dual scale (°F and °C) with black markings
Well:	Brass, ½ in and ¾ in nptm (Std), Lead Free Brass (-X)
Filling type:	Organic blue
Ambient temperature:	-40 to 120°F / -40 to 49°C
Operating temperature:	Maximum 75 % of full scale value
Accuracy:	ASME B40.200 (B40.8), Grade B ± 2 % CAN/CGSB - 14.4

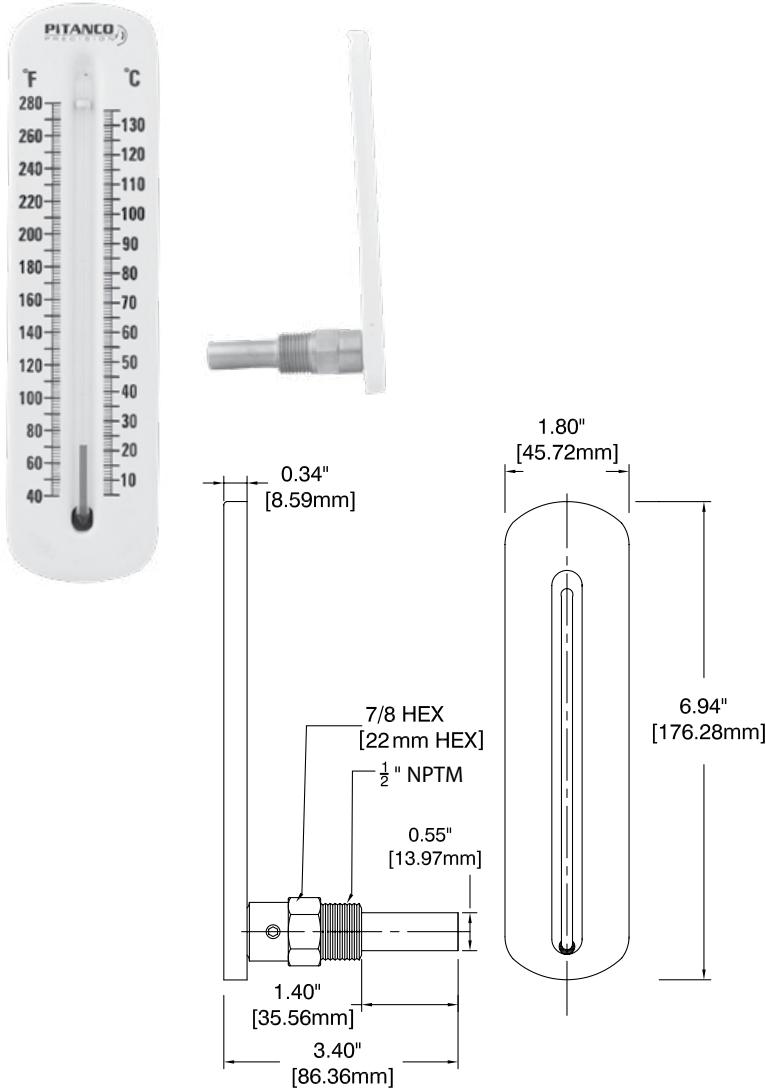
To order, use the code in the corresponding column

Connection including a well	Straight stem		90° angle stem	
	Brass well	LEAD FREE Brass well	Brass well	LEAD FREE Brass well
Range	Product code	Product code	Product code	Product code
-40 to 110°F / -40 to 40°C	IT500-01S	IT500-01S-X	IT500-01A	IT500-01A-X
20 to 180°F / -5 to 80°C	IT500-02S	IT500-02S-X	IT500-02A	IT500-02A-X
30 to 240°F / 0 to 115°C	IT500-03S	IT500-03S-X	IT500-03A	IT500-03A-X
30 to 300°F / 0 to 150°C	IT500-04S	IT500-04S-X	IT500-04A	IT500-04A-X
50 to 400°F / 10 to 200°C	IT500-05S	IT500-05S-X	IT500-05A	IT500-05A-X

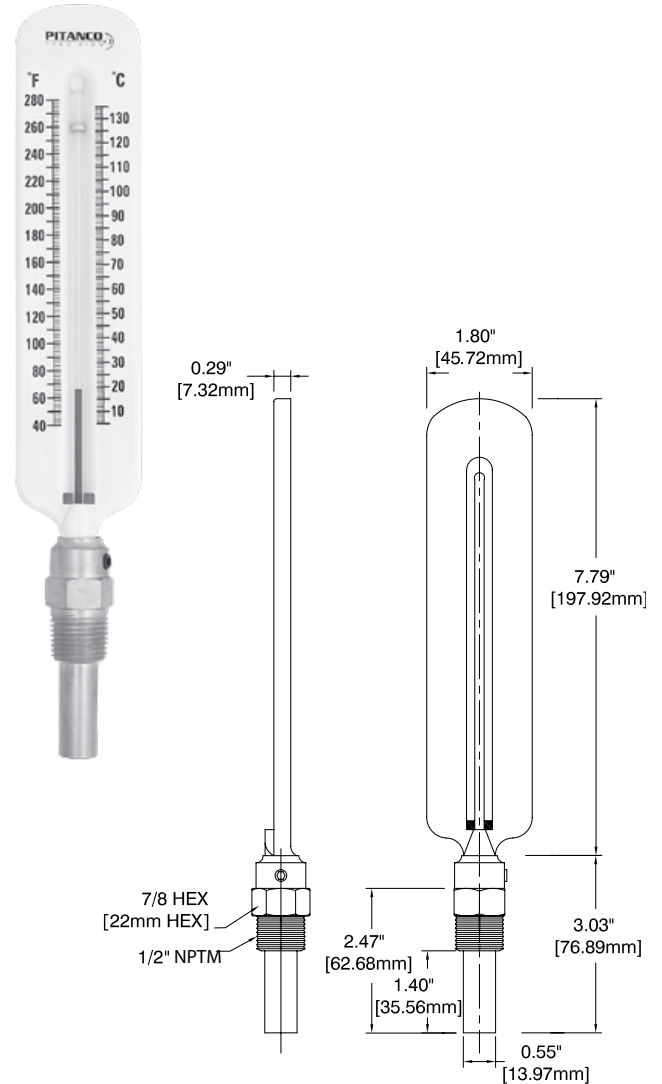
INDUSTRIAL 8 in HOT WATER THERMOMETER

MODELS IT800A AND IT800S

Illustrated model: IT800A



Illustrated model: IT800S



Specifications

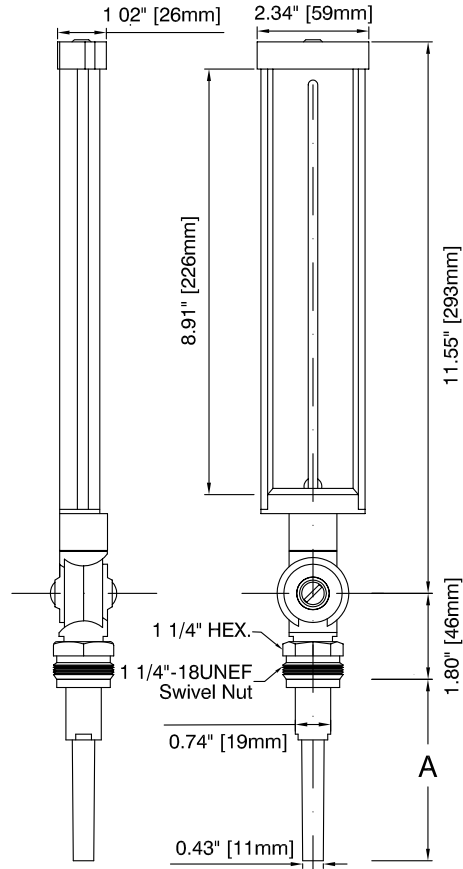
Case:	8 in (200 mm) white steel finish, graduations °F / °C in black
Stem:	Separable brass socket 1/2 in nptm, angle type (IT800A) or straight type (IT800S) Lead Free Brass (-X)
Tube:	Glass
Filling type:	Organic red
Accuracy:	ASME B40.200(B40.8), Grade A ± 1 % CAN/CGSB - 14.4

To order, use the code in the corresponding column

Range	Connection		Product code
40 to 280°F / 5 to 135°C	90° angle type 1/2 in nptm	Brass	IT800A
	Straight type 1/2 in nptm		IT800S
	90° angle type 1/2 in nptm	Lead Free Brass	IT800A-X
	Straight type 1/2 in nptm		IT800S-X

MULTI-ANGLE INDUSTRIAL THERMOMETER 9 in MODEL ITA900

Illustrated model: ITA900-3501



Specifications

Case:	9 in (228 mm) cast aluminum, black epoxy finish
Lens:	Reinforced glass
Stem:	Aluminum, adjustable angle with 360° rotation, 3 ½ in (90 mm) or 6 in (150 mm) in length
Connection:	1 ¼ in - 18 UNF, ¾ in nptm swivel nut, fits on well
Scale:	White aluminum, dual scale °F and °C, black markings
Filling type:	Organic blue, (400°F) maximum
Well:	Available in brass, Lead Free Brass, 304 stainless steel or 316 (see options page T6)
Accuracy:	ASME B40.200(B40.8), Grade A ± 1 % CAN/CGSB - 14.4

To order, use the code in the corresponding column

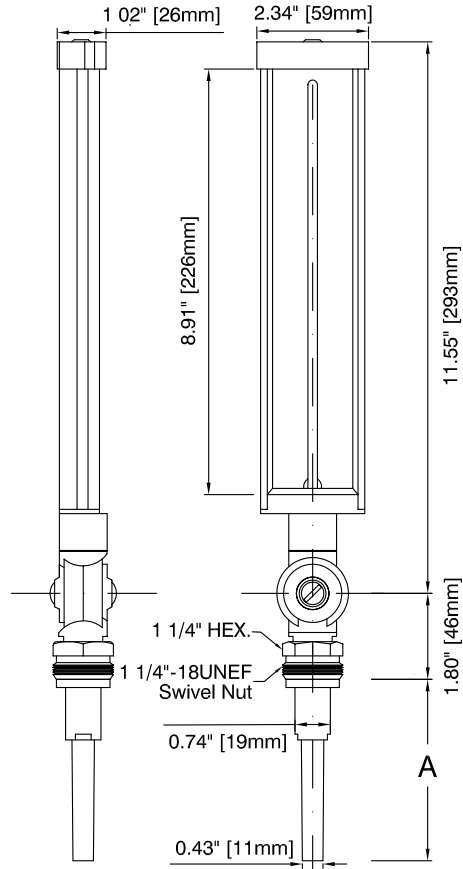
Size	Stem 3 1/2 in (90 mm)	Stem 6 in (150 mm)
Range	Product code	Product code
-40 to 110°F / -40 to 40°C	A ITA900-3501	A ITA900-6001
0 to 160°F / -15 to 70°C	ITA900-3502	ITA900-6002
30 to 240°F / 0 to 115°C	ITA900-3503	ITA900-6003
30 to 300°F / 0 to 150°C	ITA900-3504	ITA900-6004
0 to 100°F / -15 to 38°C	ITA900-3505	
50 to 400°F / 10 to 200°C	ITA900-3506	
50 to 550°F / 10 to 290°C*	ITA900-3507	

Notes

1) *With S/S wells only 2) Other scales, types and models available upon request (+/- 16 weeks delivery).

MULTI-ANGLE INDUSTRIAL THERMOMETER 9 in, BRASS STEM MODEL ITA900BR

Illustrated model: ITA900BR-3501



Specifications

Case:	9 in (228 mm) cast aluminum, black epoxy finish
Lens:	Reinforced glass
Stem:	Brass, adjustable angle with 360° rotation, 3 ½ in (90 mm) or 6 in (150 mm) in length (Std) Lead Free Brass (-X)
Connection:	1 ¼ in - 18 UNF, ¾ in nptm swivel nut, fits on well
Scale:	White aluminum, dual scale °F and °C, black markings
Filling type:	Organic blue, (500°F) maximum
Well:	Available in brass, Lead Free Brass, 304 stainless steel or 316 (see options page T6)
Accuracy:	ASME B40.200(B40.8), Grade A ± 1 % CAN/CGSB - 14.4

To order, use the code in the corresponding column

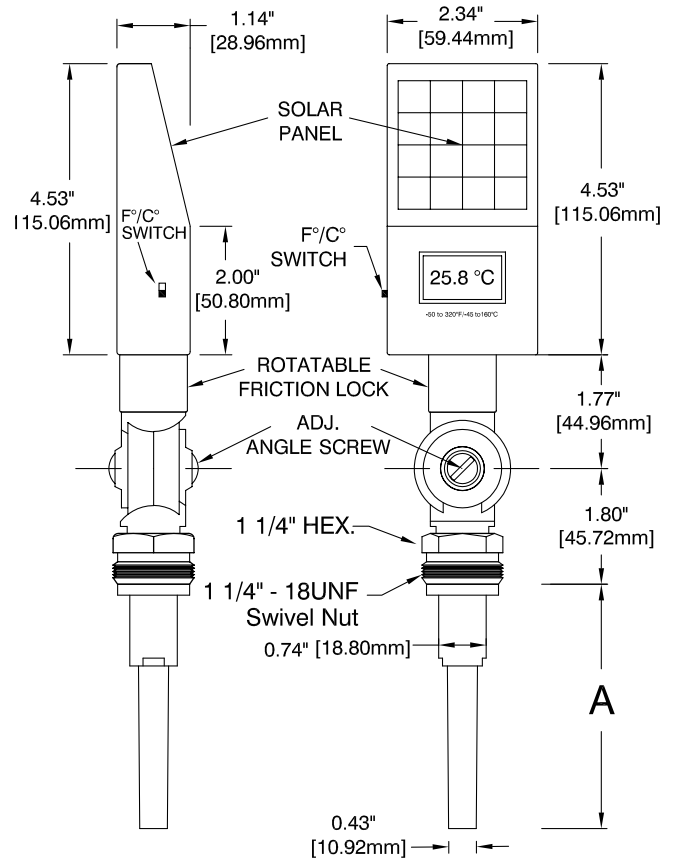
Size	Stem 3 ½ in (90 mm)		Stem 6 in (150 mm)	
	Brass	Lead Free Brass	Brass	Lead Free Brass
Range	Product code	Product code	Product code	Product code
-40 to 110°F / -40 to 40°C	A ITA900BR-3501	ITA900BR-3501-X	A ITA900BR-6001	ITA900BR-6001-X
0 to 160°F / -15 to 70°C	ITA900BR-3502	ITA900BR-3502-X	ITA900BR-6002	ITA900BR-6002-X
30 to 240°F / 0 to 115°C	ITA900BR-3503	ITA900BR-3503-X	ITA900BR-6003	ITA900BR-6003-X
30 to 300°F / 0 to 150°C	ITA900BR-3504	ITA900BR-3504-X	ITA900BR-6004	ITA900BR-6004-X
0 to 100°F / -15 to 38°C	ITA900BR-3505	ITA900BR-3505-X		

Notes

1) This series will be discontinued and replaced by ITA900.

MULTI-ANGLE SOLAR DIGITAL INDUSTRIAL THERMOMETER MODEL ITA900SD

Illustrated model: ITA900SD-35



Specifications

Case:	4 ½ in (115 mm), black reinforced thermoplastic
Range:	-50 to 320°F (-45 to 160°C), dual scales with switch °F / °C
Display:	½ in LCD digits
Recalibration:	Potentiometer adjustment through case
Lux rating:	12 lux
Response time:	10 seconds
Connection:	¼ in - 18 UNF, swivel nut ¾ in nptm, fits a well
Stem:	Aluminum, adjustable angle with 360° rotation, 3 ½ in (90 mm) or 6 in (150 mm) of length
Ambient temperature:	-30 to 140°F / -35 to 60°C
Well:	Available in brass, Lead Free Brass, 304 stainless steel or 316 (see options page T6)
Accuracy:	ASME B40.200(B40.4), Grade A ± 1 % CAN/CGSB - 14.4

Entirely interchangeable with industrial thermometer ITA900-35 or ITA900-60

Stem 3 ½ in (90 mm)	Stem 6 in (150 mm)
Product code	Product code
A ITA900SD-35	A ITA900SD-60

WELL FOR MULTI-ANGLE INDUSTRIAL THERMOMETER ITA900 AND ITA900SD MODEL WEL

Illustrated model: WEL-01BR

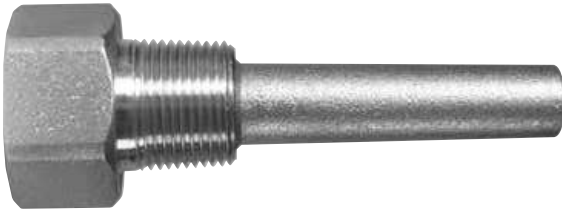


Diagram WEL-01

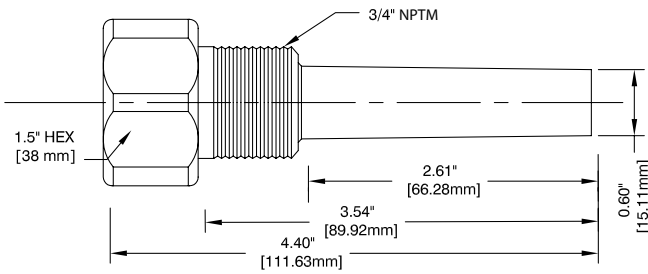
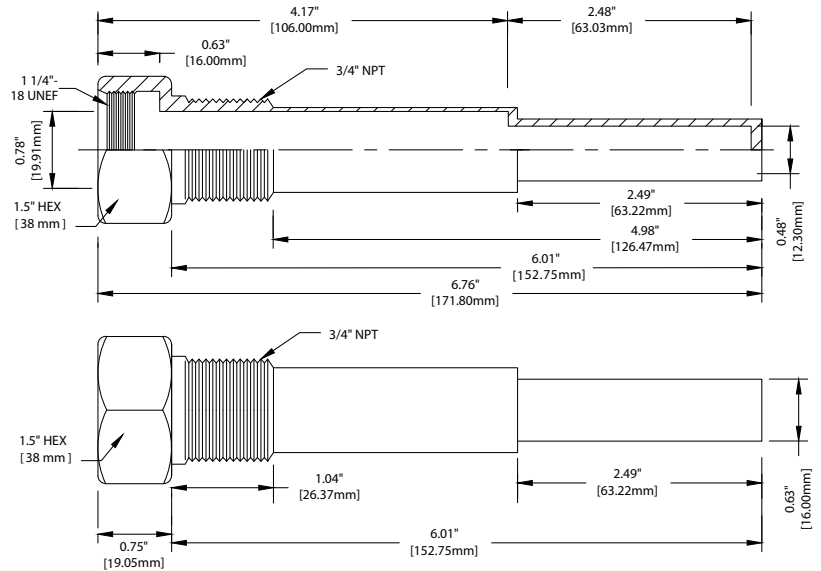


Diagram WEL-02



Specifications

Type:	For use with 9 in (928 mm) industrial thermometer, solar digital thermometer 3 1/2 in (90 mm) and 6 in (150 mm) stem
Material:	Brass, Lead Free Brass, 304 stainless steel or 316
Connection:	1 1/4 in - 18 UNF thermometer connection and 3/4 in nptm process connection
Reference:	According to ASME B40.200
Certification:	Canadian Registration Number (CRN) for all provinces.

Dimensions as per diagram

Total length	Thermometer connection	Process connection	Material	Insertion length	Lagging	Maximum Pressure (psi)	Maximum Temperature (°F)	Product code
4,40 in (111,6 mm)		3/4 in nptm	Brass	2,5 in (63 mm)		1200	200	WEL-01BR-CRN
			Lead Free Brass			1000	400	WEL-01BR-XCRN
			SS304			1050	1200	WEL-01SS304
			SS316			1580	1200	WEL-01SS316
6,75 in (172 mm)	1 1/4 in UNF	3/4 in nptm	Brass	5 in (127 mm)		470	200	WEL-02BR-CRN
			Lead Free Brass			470	400	WEL-02BR-XCRN
			SS304			440	1200	WEL-02SS304
			SS316			670	1200	WEL-02SS316
4,25 in (108 mm)		1/2 in nptm	Brass	1,75 in (45 mm)	1 in (25 mm)	1200	200	WEL-06BR-CRN
			Lead Free Brass			1100	400	WEL-06BR-XCRN
			SS304		1 in (25 mm)	1100	1200	WEL-06SS304
6,75 in (172 mm)		3/4 in nptm	SS304	2,5 in (63 mm)	2,5 in (63 mm)	980	200	WEL-07SS304
			Lead Free Brass		2,5 in (63 mm)	1000	400	WEL-07BR-XCRN

Notes

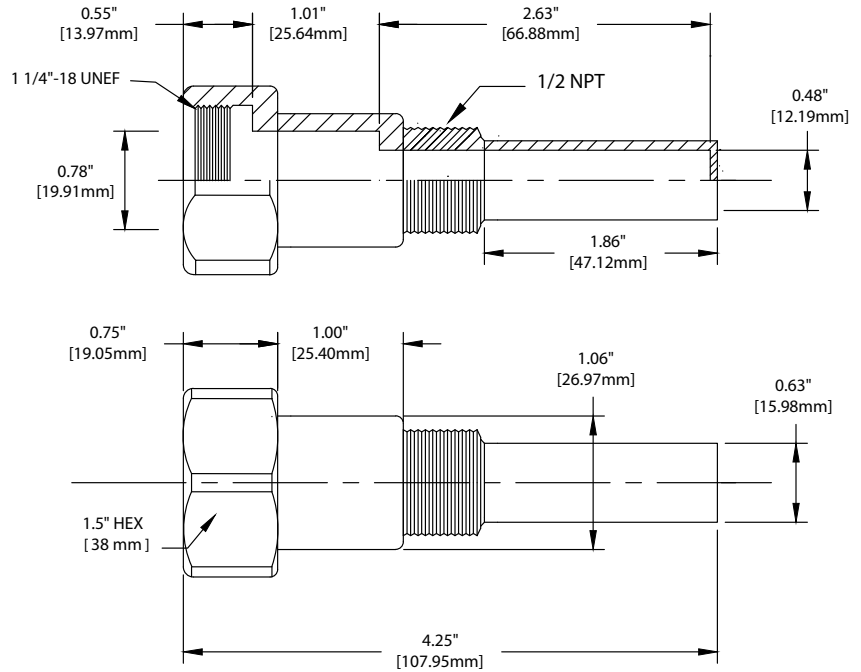
1) Paste for wells available (45 grams). Product code: PASTE-TUBE-45GR.

**WELL FOR MULTI-ANGLE INDUSTRIAL THERMOMETER ITA900 AND ITA900SD
(CONTINUED)
MODEL WEL**

Illustrated model: WEL-06BR



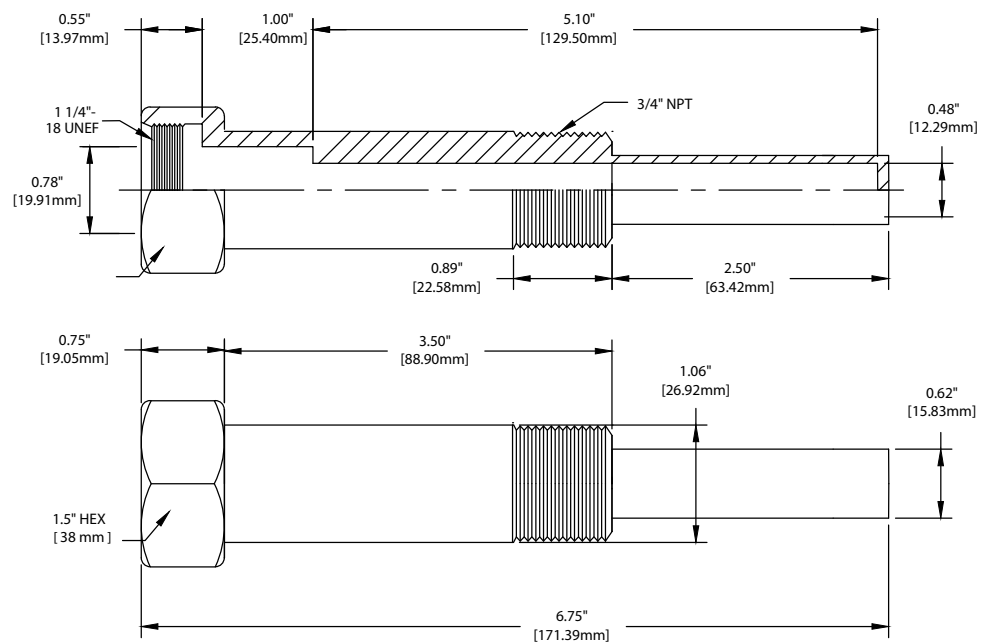
Diagram WEL-06



Illustrated model: WEL-07SS304

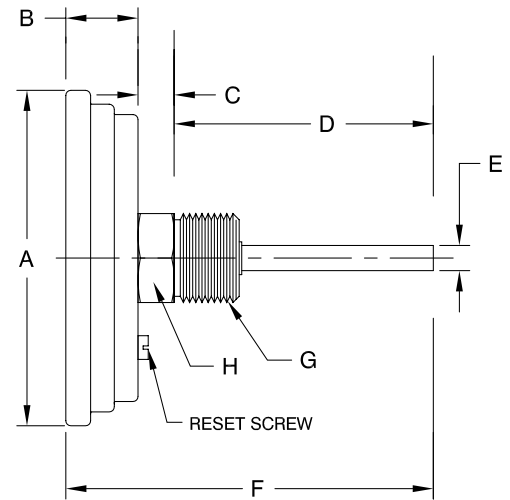
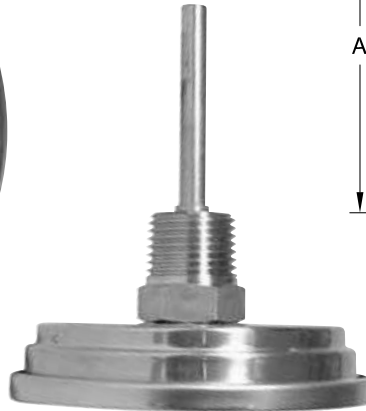


Diagram WEL-07



BIMETAL THERMOMETER MODELS B3 AND B5

Illustrated model: B325-01



Specifications

Case:	304 stainless steel, including back side recalibrator screw
Dial:	3 in (76 mm), 5 in (127 mm), white aluminum graduations °F in black °C in blue
Ring:	304 stainless steel
Lens:	Polycarbonate hermetically sealed
Pointer:	Balanced aluminum painted black
Movement:	Bimetallic coil
Stem:	304 stainless steel, 2 ½ in (63 mm), 4 in (100 mm), 6 in (150 mm), 9 in (227 mm) and 12 in (300 mm)
Connection:	½ in nptm center back mount
Ambient temperature:	-40 à 275 °F
Operating temperature:	Maximum 75 % of full range value
Well:	Available in 304 stainless steel or 316 (see options page T15)
Accuracy:	ASME B40.200(B40.3), Grade A ± 1 % CAN/CGSB - 14.5

Dimensions as per diagram

Model	Ø	A	B	C	D	E	F	G	H
B325	3 in (76 mm)	3,25 in (83 mm)	0,7 in (18 mm)	0,35 in (8,9 mm)	2,5 in (63 mm)	0,25 in (6,2 mm)	3,56 in (90,5 mm)	½ in nptm	7/8 hex. (22 mm)
B340	3 in (76 mm)	3,25 in (83 mm)	0,7 in (18 mm)	0,35 in (8,9 mm)	4 in (100 mm)	0,25 in (6,2 mm)	5,1 in (130 mm)	½ in nptm	7/8 hex. (22 mm)
B360	3 in (76 mm)	3,25 in (83 mm)	0,7 in (18 mm)	0,35 in (8,9 mm)	6 in (150 mm)	0,25 in (6,2 mm)	7,1 in (180 mm)	½ in nptm	7/8 hex. (22 mm)
B390	3 in (76 mm)	3,25 in (83 mm)	0,7 in (18 mm)	0,35 in (8,9 mm)	9 in (227 mm)	0,25 in (6,2 mm)	10,2 in (259 mm)	½ in nptm	7/8 hex. (22 mm)
B3120	3 in (76 mm)	3,25 in (83 mm)	0,7 in (18 mm)	0,35 in (8,9 mm)	12 in (300 mm)	0,25 in (6,2 mm)	13,25 in (336,5 mm)	½ in nptm	7/8 hex. (22 mm)
B525	5 in (127 mm)	5,1 in (130 mm)	0,7 in (18 mm)	0,35 in (8,9 mm)	2,5 in (63 mm)	0,25 in (6,2 mm)	3,56 in (90,5 mm)	½ in nptm	7/8 hex. (22 mm)
B540	5 in (127 mm)	5,1 in (130 mm)	0,7 in (18 mm)	0,35 in (8,9 mm)	4 in (100 mm)	0,25 in (6,2 mm)	5,1 in (130 mm)	½ in nptm	7/8 hex. (22 mm)
B560	5 in (127 mm)	5,1 in (130 mm)	0,7 in (18 mm)	0,35 in (8,9 mm)	6 in (150 mm)	0,25 in (6,2 mm)	7,1 in (180 mm)	½ in nptm	7/8 hex. (22 mm)
B590	5 in (127 mm)	5,1 in (130 mm)	0,7 in (18 mm)	0,35 in (8,9 mm)	9 in (227 mm)	0,25 in (6,2 mm)	10,2 in (259 mm)	½ in nptm	7/8 hex. (22 mm)
B5120	5 in (127 mm)	5,1 in (130 mm)	0,7 in (18 mm)	0,35 in (8,9 mm)	12 in (300 mm)	0,25 in (6,2 mm)	13,25 in (336,5 mm)	½ in nptm	7/8 hex. (22 mm)

BIMETAL THERMOMETER 3 AND 5 in 304 STAINLESS STEEL (CONTINUED)
CENTER BACK FIXED STEM

MODELS B3 AND B5

To order, use the code in the corresponding column

Model	B3 3 in (76 mm) Ø fixed stem length							
	2 1/2 in (63 mm)	4 in (100 mm)		6 in (150 mm)		9 in (225 mm)		12 in (300 mm)
Center back connection	1/2 in nptm	1/2 in nptm	1/4 in nptm	1/2 in nptm	1/4 in nptm	1/2 in nptm	1/4 in nptm	1/2 in nptm
Range	Product code							
-40 to 160°F / -40 to 70°C	B325-01	B340-01		B360-01		B390-01		
30 to 240°F / 0 to 115°C	B325-03	B340-03		B360-03		B390-03		
50 to 300°F / 10 to 150°C	B325-05	B340-05		B360-05		B390-05		
50 to 500°F / 10 to 260°C	B325-07	B340-07		B360-07		B390-07		
0 to 250°F / -20 to 120°C	B325-09	B340-09		B360-09	B360-09-250	B390-09	B390-09-250	B3120-09
200 to 1 000°F / 90 to 540°C	B325-11	B340-11	B340-11-250	B360-11		B390-11		B3120-11
25 to 125°F / -5 to 50°C	B325-12			B360-12				

Model	B5 5 in (127 mm) Ø fixed stem length (center back connection 1/2 in nptm)				
	2 1/2 in (63 mm)	4 in (100 mm)	6 in (150 mm)	9 in (225 mm)	12 in (300 mm)
Range	Product code				
-40 to 160°F / -40 to 70°C	B525-01	B540-01	B560-01	B590-01	
30 to 240°F / 0 to 115°C	B525-03	B540-03	B560-03	B590-03	
50 to 300°F / 10 to 150°C	B525-05	B540-05	B560-05	B590-05	
50 to 500°F / 10 to 260°C	B525-07	B540-07	B560-07	B590-07	B5120-07
0 to 250°F / -20 to 120°C	B525-09	B540-09	B560-09	B590-09	
200 to 1 000°F / 90 to 540°C	B525-11	B540-11	B560-11	B590-11	B5120-11

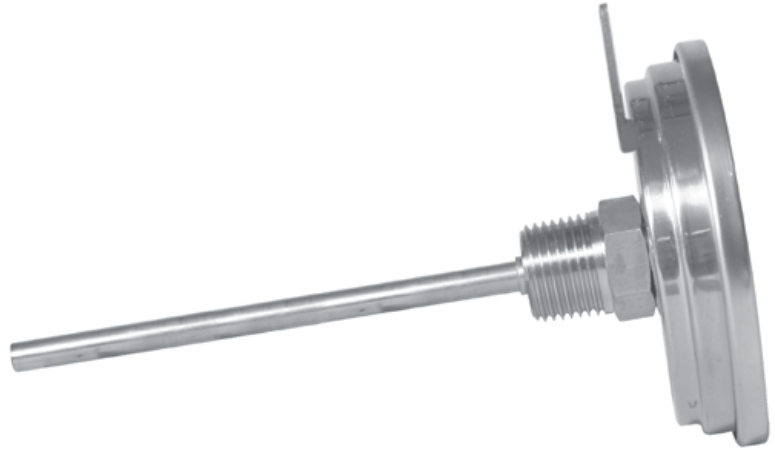
Notes

- 1) Well required when line pressure above 125 psi.
- 2) Other scales, types and models available upon request (+/- 16 weeks delivery).

BIMETAL THERMOMETER (FOR MAPLE SYRUP) MODEL MS



Illustrated model: MS



Specifications

Case:	304 stainless steel, with back side reset rod
Dial:	3 in (76 mm), 5 in (127 mm), white aluminum graduations °F in black
Ring:	304 stainless steel
Lens:	Glass, hermetically sealed
Pointer:	Balanced aluminum painted black
Movement:	Bimetallic coil
Stem:	304 stainless steel, 6 in (150 mm), 9 in (227 mm) and 12 in (300 mm)
Connection:	¼ in nptm center back mount
Ambient temperature:	-58 to 392 °F
Operating temperature:	Maximum 75 % of full range value
Well:	Available in 304 stainless steel or 316 (see options page T15)
Accuracy:	ASME B40.200(B40.3), Grade A ± 1 % CAN/CGSB - 14.5

To order, use the code in the corresponding column

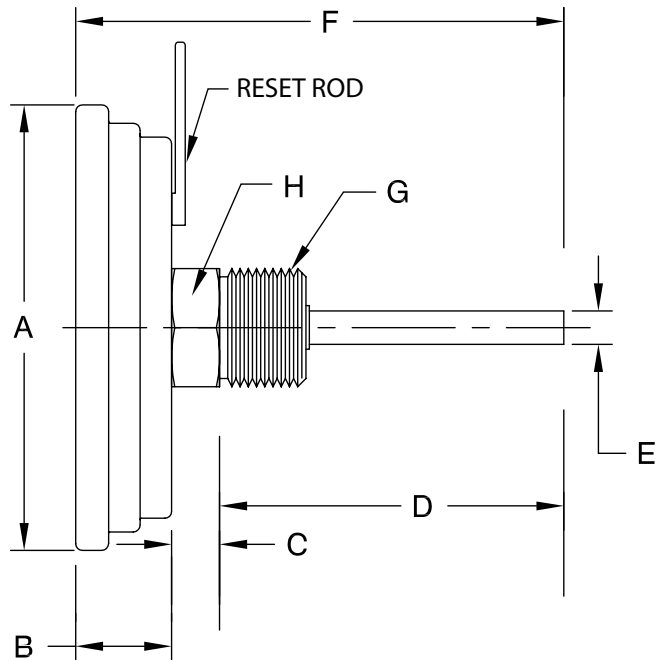
Model	B3 3 in (76 mm) Ø Fixed stem length (center back connection 1/4 in nptm)		
	6 in (150 mm)	9 in (225 mm)	12 in (300 mm)
Size			
Range	Product code	Product code	Product code
-0 to 50°F	B360MS-G-250	B390MS-G-250	B3120MS-G-250

Model	B5 5 in (127 mm) Ø Fixed stem length (center back connection 1/4 in nptm)		
	6 in (150 mm)	9 in (225 mm)	12 in (300 mm)
Size			
Range	Product code	Product code	Product code
-0 to 50°F		B590MS-G-250	B5120MS-G-250

Notes

- 1) Well required when line pressure above 125 psi.
- 2) Other scales, types and models available upon request (+/- 16 weeks delivery).

BIMETAL THERMOMETER (FOR MAPLE SYRUP) (CONTINUED)
Model MS

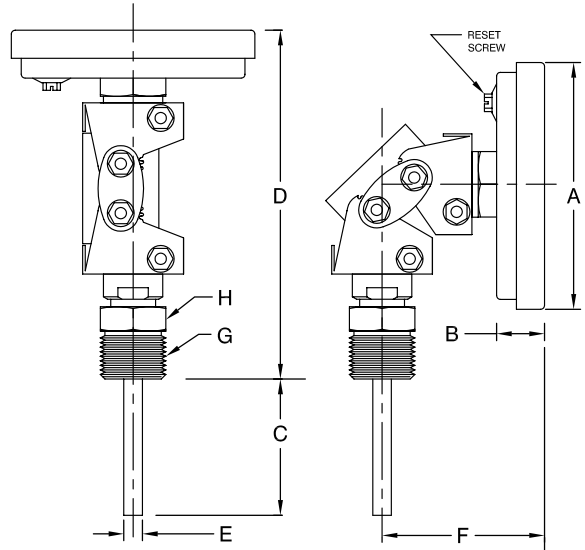
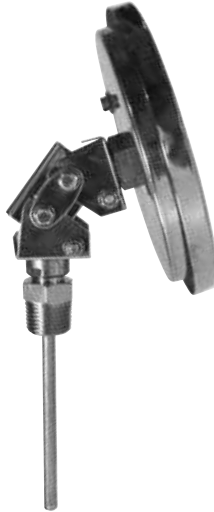


Dimensions as per diagram

Model	Ø	A	B	C	D	E	F	G	H
B360	3 in (76 mm)	3,25 in (83 mm)	0,7 in (18 mm)	0,35 in (8,9 mm)	6 in (150 mm)	0,25 in (6,2 mm)	7,1 in (180 mm)	½ in nptm	7/8 hex. (22 mm)
B390	3 in (76 mm)	3,25 in (83 mm)	0,7 in (18 mm)	0,35 in (8,9 mm)	9 in (227 mm)	0,25 in (6,2 mm)	10,2 in (259 mm)	½ in nptm	7/8 hex. (22 mm)
B3120	3 in (76 mm)	3,25 in (83 mm)	0,7 in (18 mm)	0,35 in (8,9 mm)	12 in (300 mm)	0,25 in (6,2 mm)	13,25 in (336,5 mm)	½ in nptm	7/8 hex. (22 mm)
B560	5 in (127 mm)	5,1 in (130 mm)	0,7 in (18 mm)	0,35 in (8,9 mm)	6 in (150 mm)	0,25 in (6,2 mm)	7,1 in (180 mm)	½ in nptm	7/8 hex. (22 mm)
B590	5 in (127 mm)	5,1 in (130 mm)	0,7 in (18 mm)	0,35 in (8,9 mm)	9 in (227 mm)	0,25 in (6,2 mm)	10,2 in (259 mm)	½ in nptm	7/8 hex. (22 mm)
B5120	5 in (127 mm)	5,1 in (130 mm)	0,7 in (18 mm)	0,35 in (8,9 mm)	12 in (300 mm)	0,25 in (6,2 mm)	13,25 in (336,5 mm)	½ in nptm	7/8 hex. (22 mm)

ADJUSTABLE ANGLE BIMETAL THERMOMETER MODELS B3A AND B5A

Illustrated model: B540-07A



Specifications

Case:	304 stainless steel, including reset screw located at the back
Dial:	3 in (76 mm), 5 in (127 mm), silver aluminum, graduations °F in black °C in blue, white background
Ring:	304 stainless steel
Lens:	Polycarbonate hermetically sealed
Pointer:	Balanced black aluminum
Movement:	Bimetallic coil
Stem:	304 stainless steel, 2 ½ in (63 mm), 4 in (100 mm), 6 in (150 mm), 9 in (227 mm) and 12 in (300 mm).
Connection:	½ in nptm adjustable angle
Ambient temperature:	-40 à 275 °F
Operating temperature:	Maximum 75 % of full scale value
Well:	Available in 304 or 316 stainless steel (see options page T15)
Accuracy:	ASME B40.200(B40.3), Grade A ± 1 % of the full scale CAN/CGSB - 14.5

Dimensions as per diagram

Model	Ø	A	B	C	D	E	F	G	H
B325A	3 in (76 mm)	3,25 in (83 mm)	0,7 in (18 mm)	1,8 in (46 mm)	4,6 in (116 mm)	0,25 in (6,2 mm)	2,13 in (54,2 mm)	½ in nptm	7/8 hex. (22 mm)
B340A				3,4 in (86 mm)					
B360A				5,3 in (136 mm)					
B390A				8,4 in (213 mm)					
B3120A				11,5 in (292 mm)					
B525A	5 in (127 mm)	5,1 in (130 mm)	0,7 in (18 mm)	1,8 in (46 mm)	4,7 in (118 mm)	0,25 in (6,2 mm)	2,22 in (56,3 mm)	½ in nptm	7/8 hex. (22 mm)
B540A				3,4 in (86 mm)					
B560A				5,3 in (136 mm)					
B590A				8,4 in (213 mm)					
B5120A				11,4 in (290 mm)					

**BIMETAL THERMOMETER 3 AND 5 in 304 STAINLESS STEEL
ADJUSTABLE ANGLE (CONTINUED)
MODELS B3A AND B5A**

To order, use the code in the corresponding column

Model	B3A 3 in (76 mm) Ø adjustable angle stem				
Size	2 1/2 in (63 mm)	4 in (100 mm)	6 in (150 mm)	9 in (228 mm)	12 in (300 mm)
Range	Product code				
-40 to 160°F / -40 to 70°C	B325-01A	B340-01A	B360-01A		
30 to 240°F / 0 to 115°C	B325-03A	B340-03A	B360-03A		
50 to 300°F / 10 to 150°C	B325-05A	B340-05A	B360-05A		
50 to 500°F / 10 to 260°C	B325-07A	B340-07A	B360-07A	B390-07A	B3120-07A
150 to 750°F / 65 to 400°C	B325-08A				
0 to 250°F / -20 to 120°C	B325-09A	B340-09A	B360-09A		B3120-09A
32 to 140°F / 0 to 60°C	B325-10A	B340-10A	B360-10A		
200 to 1 000°F / 90 to 540°C		B340-11A			B3120-11A

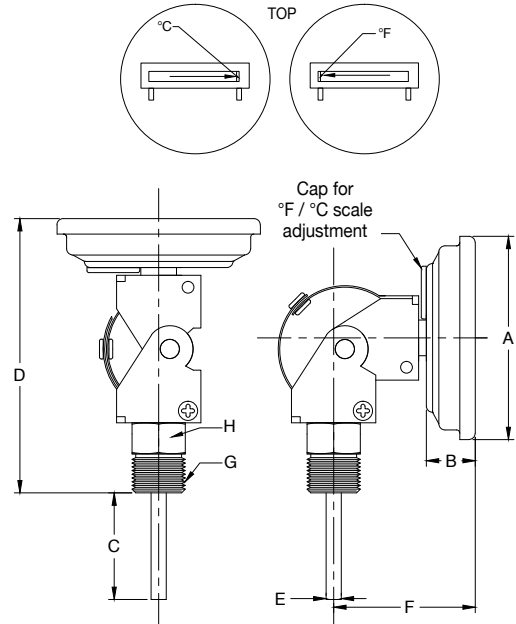
Model	B5A 5 in (127 mm) Ø adjustable angle stem				
Size	2 1/2 in (63 mm)	4 in (100 mm)	6 in (150 mm)	12 in (300 mm)	16 in (400 mm)
Range	Product code				
-40 to 160°F / -40 to 70°C	B525-01A	B540-01A	B560-01A	B5120-01A	
30 to 240°F / 0 to 115°C	B525-03A	B540-03A	B560-03A		
50 to 300°F / 10 to 150°C	B525-05A	B540-05A	B560-05A		
50 to 500°F / 10 to 260°C	B525-07A	B540-07A	B560-07A	B5120-07A	
150 to 750°F / 65 to 400°C			B560-08A		
0 to 250°F / -20 to 120°C	B525-09A	B540-09A	B560-09A	B5120-09A	
0 to 250°F / -20 to 120°C				B5120-09A-250 (¼ in nptm)	
32 to 140°F / 0 to 60°C	B525-10A	B540-10A	B560-10A		
200 to 1 000°F / 90 to 540°C		B540-11A		B5120-11A	B5160-11A

Notes

- 1) Well required when line pressure above 125 psi.
- 2) Other scales, types and models available upon request (+/- 16 weeks delivery).

ADJUSTABLE ANGLE DIGITAL BIMETAL THERMOMETER MODEL DIGITAL B3DST

Illustrated model: B3DST



Specifications

Case:	304 stainless steel, potentiometer à the back
Dial:	3 in (76 mm), 5 in (127 mm), white aluminum with LCD reading
Ring:	304 stainless steel
Lens:	Polycarbonate hermetically sealed
Pointer:	Digital display
Movement:	Solar digital
Stem:	304 stainless steel, 2 ½ in (63 mm), 4 in (100 mm), 6 in (150 mm)
Connection:	½ in nptm adjustable angle
Ambient temperature:	-40 à 275 °F
Operating temperature:	Maximum 75 % of full scale value
Well:	Available in 304 or 316 stainless steel (see options page T15)
Accuracy:	ASME B40.200(B40.3), Grade A ± 1 % of the full scale CAN/CGSB - 14.5

Dimensions as per diagram

Model	Ø	A	B	C	D	E	F	G	H
B325DST				1,7 in (44 mm)					
B340DST	3 in (76 mm)	3,28 in (83 mm)	0,8 in (21 mm)	3,3 in (84 mm)	4,4 in (112 mm)	0,25 in (6,2 mm)	2,29 in (58 mm)	½ in nptm	7/8 hex. (22 mm)
B360DST				5,3 in (136 mm)					

To order, use the code in the corresponding column

Model	DIGITAL BDST 3 in (76 mm) Ø adjustable angle stem				
Size	2 1/2 in (63 mm)	4 in (100 mm)	6 in (150 mm)	9 in (228 mm)	12 in (300 mm)
Range	Product code				
-58 to 302°F / -50 to 150°C	B325DST	B340DST	B360DST	B390DST	B3120DST

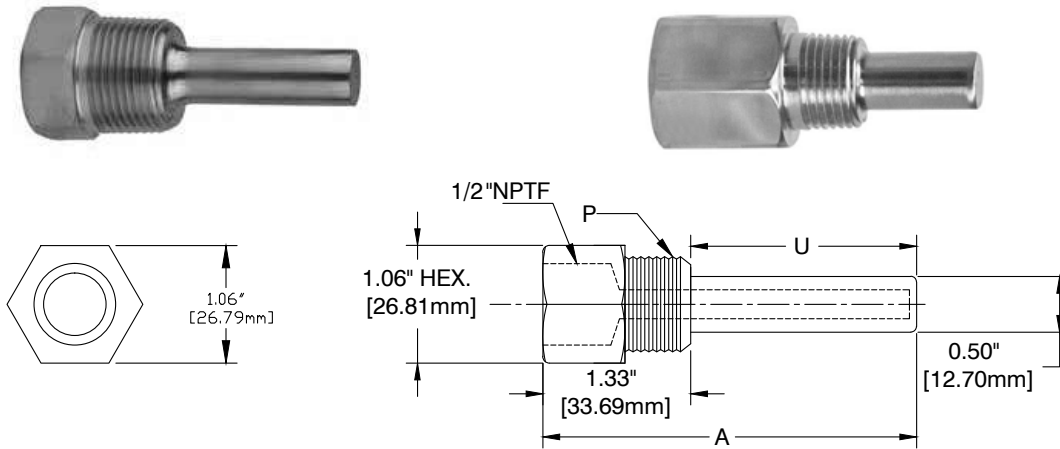
Notes

- 1) Well required when line pressure above 125 psi.
- 2) Other scales, types and models available upon request (+/- 16 weeks delivery).

WELL FOR BIMETAL THERMOMETERS FIXED OR ADJUSTABLE STEM MODEL WEL

Illustrated model: WEL03-SS316B

Illustrated model: WEL03-SS316



Specifications

Type:	For use with bimetal thermometer B3, B5, B3A, B5A and BDST3 2 ½ in (63 mm), 4 in (100 mm), 6 in (150 mm), 9 in (225 mm) and 12 in (300 mm) stem
Material:	304 or 316 stainless steel
Connection:	½ in nptf for bimetal connection and ½ or ¾ in nptm for process connection (see dimensions chart to select the right choice).
Reference:	ASME B40.200
Certification:	Canadian Registration Number (CRN) for all provinces.

Dimensions as per diagram

A	P	Material	U	Model	Maximum pressure (psi)	Maximum-Temperature (°F)	Product code
2,68 in (68,07 mm)	¾ in nptm	SS304	1,625 in (41 mm)	2,5 in (63 mm) stem	1600	1200	WEL-03SS304B
2,75 in (69,85 mm)	¾ in nptm	SS316	1,625 in (41 mm)	2,5 in (63 mm) stem	2500	1200	WEL-03SS316B
	½ in nptm	SS304	1 in (25 mm)	2,5 in (63 mm) stem	1600	1200	WEL-03SS304
SS316		2500			1200	WEL-03SS316	
4,25 in (108 mm)	½ in nptm	SS304	2,5 in (63 mm)	4 in (100 mm) stem	1600	1200	WEL-04SS304
		SS316			2500	1200	WEL-04SS316
	¾ in nptm	SS304			1600	1200	WEL-04SS304B
		SS316			2500	1200	WEL-04SS316B
6,25 in (158,75 mm)	½ in nptm	SS304	4,5 in (114 mm)	6 in (150 mm) stem	1650	1200	WEL-05SS304
		SS316			2500	1200	WEL-05SS316
	¾ in nptm	SS304			1650	1200	WEL-05SS304B
		SS316			2500	1200	WEL-05SS316B
9,25 in (234,95 mm)	½ in nptm	SS304	7,5 in (190,5 mm)	9 in (225 mm) stem	1650	1200	WEL-10SS304
		SS316			2500	1200	WEL-10SS316
	¾ in nptm	Brass			2400	200	WEL-10BR-B
12,25 in (311,15 mm)	½ in nptm	SS304	10,5 in (266,7 mm)	12 in (300 mm) stem	1650	1200	WEL-11SS304
		SS316			2500	1200	WEL-11SS316

Notes

- 1) Paste for wells available (45 grams). Product code: PASTE-TUBE-45GR.
- 2) Other models available upon request (+/- 16 weeks delivery).

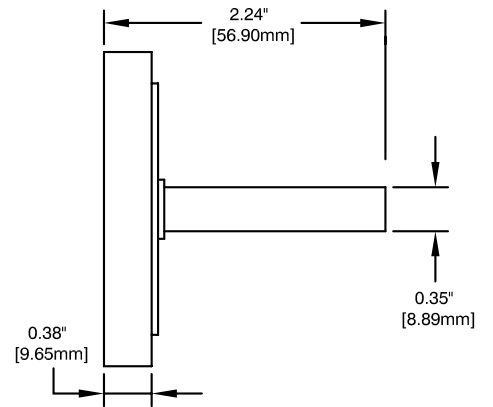
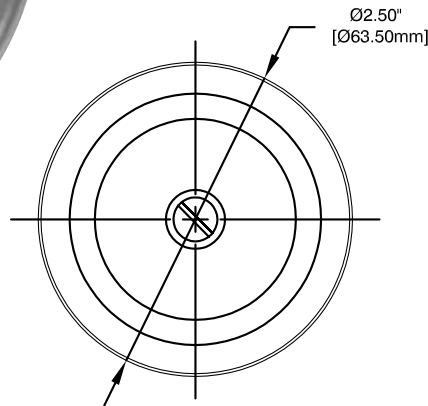
HOT WATER BIMETAL THERMOMETER MODEL B252

Illustrated model: B252



WEL-PRESS

WEL-04PW



Specifications

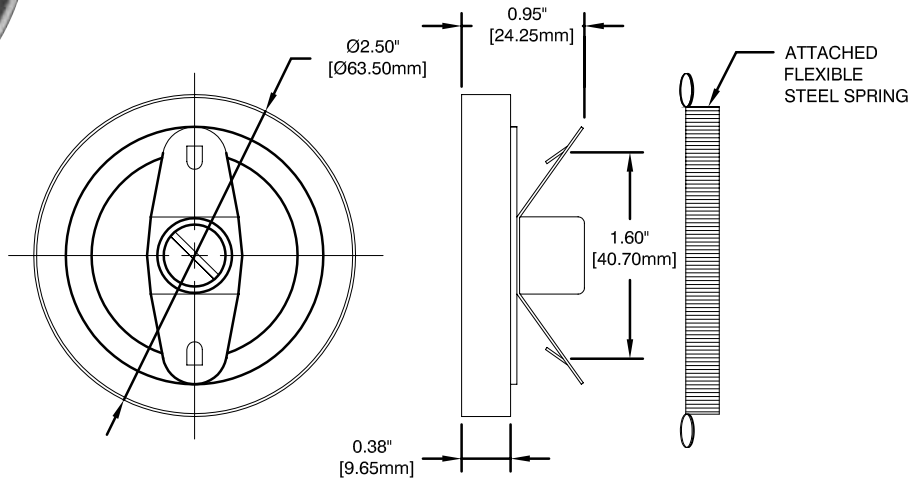
Case:	Aluminium
Dial:	2 ½ in (63 mm) white aluminum with graduations °F in black and °C in blue
Ring:	Steel chrome plated
Lens:	Glass
Pointer:	Aluminum painted black
Movement:	Bimetallic coil
Stem:	Brass, 2 in (50 mm) center back
Well:	½ in nptm brass or ¾ in brass sweat type included. Lead Free Brass (-X)
Ambient temperature:	-40 to 250°F / -40 to 121°C
Operating temperature:	Maximum 75 % of full scale value
Accuracy:	ASME B40.200(B40.3), Grade B ± 2 % CAN/CGSB - 14.5
Certification:	Wells with Canadian Registration Number (CRN) for all provinces.

To order, use the code in the corresponding column

Range	Connection		Product code
30 to 250°F / 0 to 120°C	With well ½ in nptm	Brass	B252-04PW05-CRN
	With well ¾ in sweat		B252-04SW06
	With well ½ in nptm	Lead Free Brass	B252-04PW05-XCRN

CLAMP-ON THERMOMETER MODEL TCL250

Illustrated model: TCL250-08



Specifications

Case:	Zinc plated steel with spring attachment
Dial:	2 1/2 in (63 mm) white aluminum, graduations °F in black and °C in blue
Ring:	Steel chrome plated
Lens:	Acrylic
Pointer:	Aluminum painted black
Movement:	Bimetallic coil
Stem:	Brass surface with zero reset
Ambient temperature:	-40 to 250°F / -40 to 121°C
Operating temperature:	Maximum 75 % of full scale value
Accuracy:	ASME B40.200(B40.3), Grade B ± 2 % CAN/CGSB - 14.5

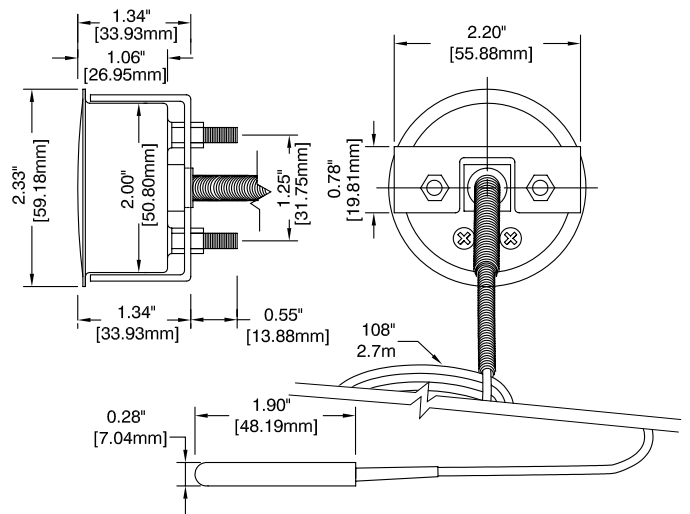
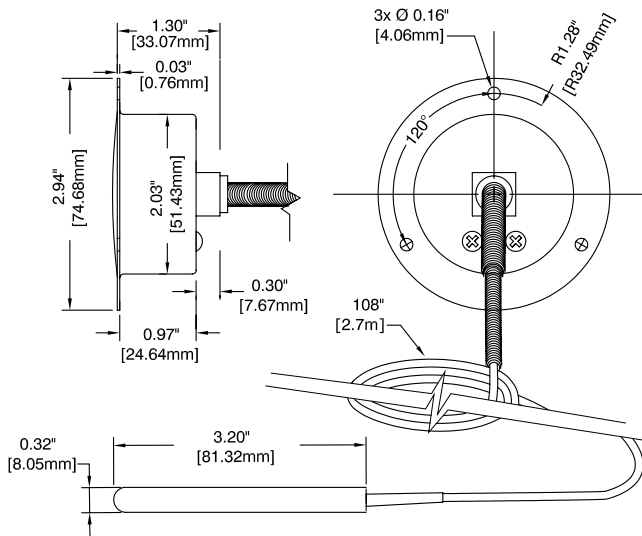
To order, use the code in the corresponding column

Range	Product code
30 to 240°F / 0 to 115°C	TCL250-03
-40 to 110°F / -40 to 40°C	TCL250-08

REMOTE READING HVAC THERMOMETER MODELS T200 AND T250

Illustrated model: T200FF-02

Illustrated model: T200UC-00



Specifications

Case:	304 stainless steel, front flange or U-clamp
Dial:	2 in (50 mm), 2 1/2 in (63 mm) white aluminum with graduations °C in blue, °F in black
Lens:	Acrylic snap in
Pointer:	Adjustable, aluminum painted black
Movement:	Brass
Bourdon tube:	Phosphor bronze
Capillary:	108 in (3 m) double braided copper, plastic coated
Capillary outlet:	Center back
Bulb:	Brass, plastic coated
Operating temperature:	Maximum 75 % of full scale value
Accuracy:	ASME B40.200(B40.4), Grade B ± 2 % CAN/CGSB - 14.4

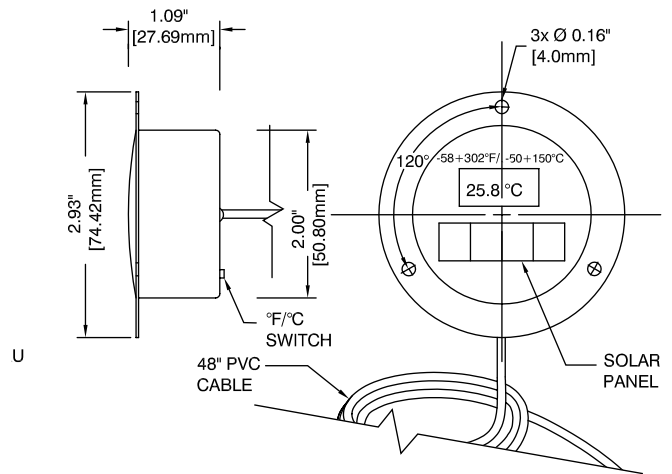
To order, use the code in the corresponding column

Size	2 in (50 mm)		2 1/2 in (63 mm)	
	front flange	U-clamp	front flange	U-clamp
Range	Product code			
-40 to 60°F / -40 to 15°C	T200FF-00	T200UC-00	T250FF-00	T250UC-00
-20 to 120°F / -30 to 50°C	T200FF-02	T200UC-02	T250FF-02	T250UC-02

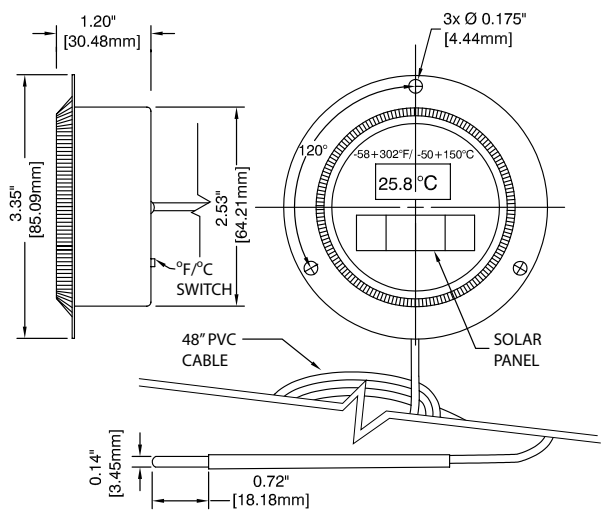
REMOTE READING SOLAR DIGITAL THERMOMETER MODELS DIT200 AND DIT250



Model DIT200



Model DIT250



Specifications

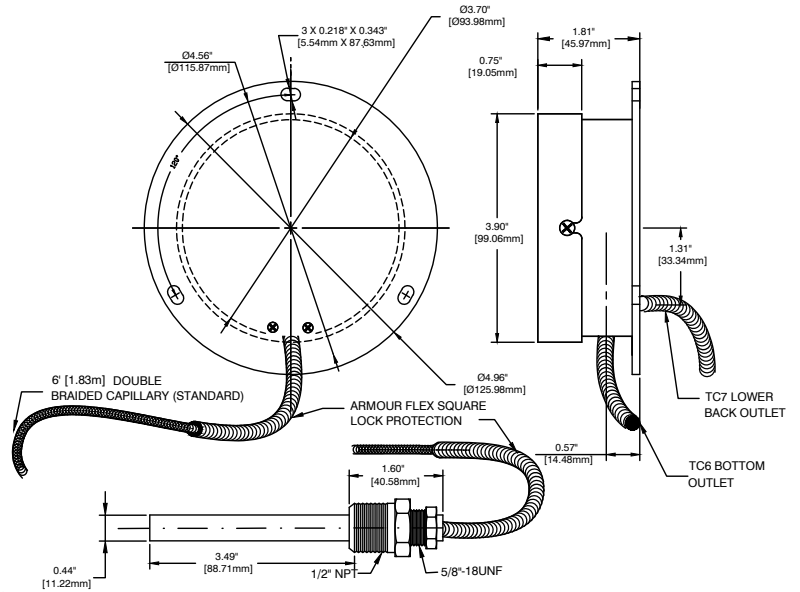
Case:	304 stainless steel c/w front flange
Dial:	2 in (50 mm), 2 ½ in (63 mm)
Lens:	Polycarbonate
Capillary outlet:	Center back
Capillary:	48 in (1.4 m) PVC
Probe:	304 stainless steel
Display:	Liquid crystal (LCD) up to 3 digits and one decimal
Energy source:	Solar powered, includes lithium back-up battery
Ambient temperature:	14 to 140°F / -10 to 60°C
Operating temperature:	Dual scale switch -58 to 302°F / -50 to 150°C
Accuracy:	ASME B40.200(B40.3), Grade A ± 1 % CAN/CGSB - 14.5

To order, use the code in the corresponding column

Diameter ϕ	Range	Product code
2 in (50 mm)	-58 to 302°F / -50 to 150°C	DIT200
2 ½ in (63 mm)	-58 to 302°F / -50 to 150°C	DIT250

REMOTE READING THERMOMETER MANUFACTURED AT OUR PLANT MODEL TC6 AND TC7

Illustrated model: TC6



* See illustration of the TC7 model on the next page

Specifications

Case:	Cast aluminum painted black, back flange standard
Dial:	White aluminum, black graduations °F inner, °C outer
Ring:	3 ½ in (87 mm) cast aluminum, painted black 4 ½ in (115 mm) chrome plated steel
Lens:	Glass, lexan optional
Pointer:	Anodized black aluminum, adjustable
Bulb and Connection:	Bulb 3.49 in (88.7 mm) long x 7/16 in (11.2 mm) Ø, fittings 5/8 - 18 UNF and 5/8 - 18 UNF x ½ in nptm
Movement:	Brass
Capillary:	6 feet (1.83 m) double braided copper standard, up to 65 feet (19,8 m)
Well:	Available in brass or 316 Stainless Steel (see options page T25)
Accuracy:	ASME B40.200(B40.4), Grade B ± 2 % CAN/CGSB - 14.4

To order, use the code in the corresponding column

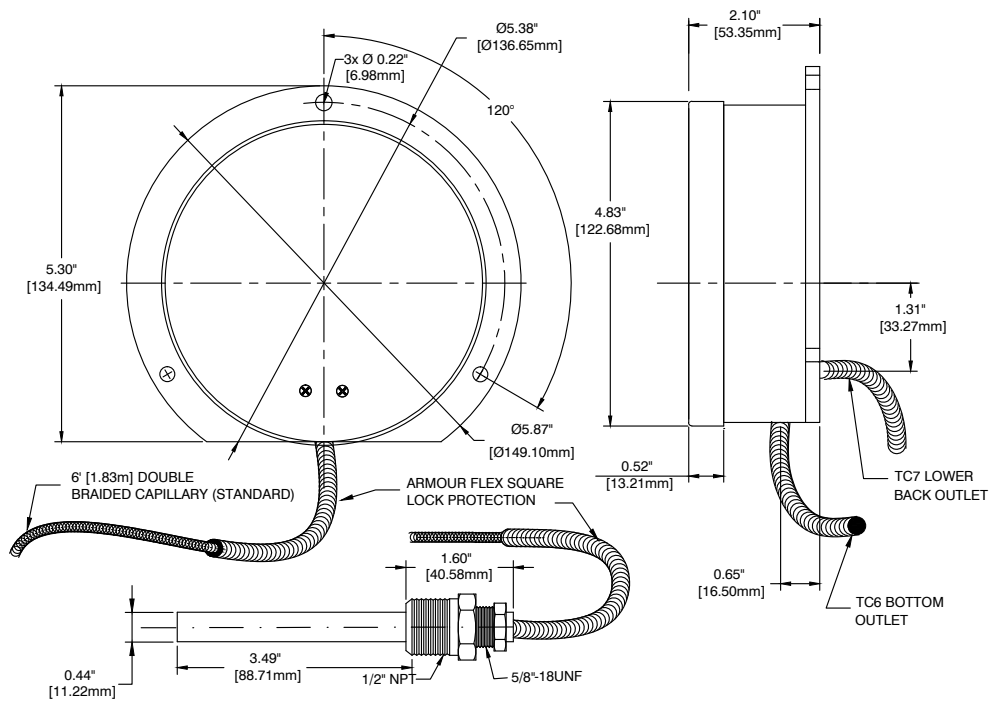
Size	3 1/2 in (87 mm)		4 1/2 in (115 mm)	
	1/2 nptm			
Connection				
Outlet	bottom	lower back	bottom	lower back
Range	Product code	Product code	Product code	Product code
0 to 100°F / -15 to 38°C	TC635-30	TC735-30	TC645-30	TC745-30
-40 to 120°F / -40 to 50°C	TC635-31	TC735-31	TC645-31	TC745-31
0 to 160°F / -15 to 70°C	TC635-32	TC735-32	TC645-32	TC745-32
30 to 240°F / 0 to 115°C	TC635-33	TC735-33	TC645-33	TC745-33
50 to 300°F / 10 to 150°C	TC635-34	TC735-34	TC645-34	TC745-34
200 to 450°F / 100 to 235°C	TC635-35	TC735-35	TC645-35	TC745-35

Notes

- 1) Models TC6 and TC7 are remote gas vapor activated thermometers (up to 65 ft (19,8 m) between bulb and dial).
- 2) Temperature changes absorbed by the capillary or housing do not affect the temperature reading.
- 3) Additional capillary length available upon request.
- 4) Flexible 304 stainless steel armor flex protection, available upon request.

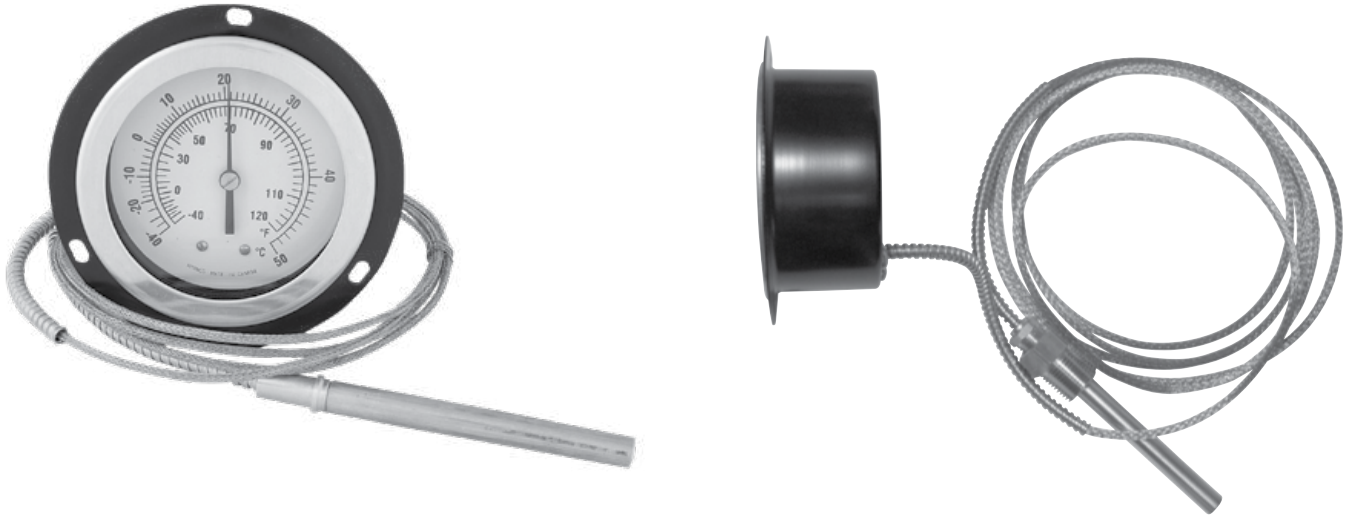
REMOTE READING THERMOMETER MANUFACTURED AT OUR PLANT (CONTINUED)
MODELS TC6 AND TC7

Illustrated model: TC7



**REMOTE READING THERMOMETER MANUFACTURED AT OUR PLANT
MODELS PX5 AND PX8**

Illustrated model: PX5



Model PX5: Front flange for panel mount, lower back capillary outlet

Model PX8: U-clamp for panel mount, without visible screws, lower back capillary outlet

Specifications

Case:	Spinning steel, painted black, front flange for PX5, U-clamp for PX8
Dial:	White aluminum, black graduations °F inner °C outer
Ring:	Recessed aluminum
Lens:	Glass, lexan optional
Pointer:	Anodised aluminum black, adjustable
Bulb and connection:	Bulb 3.49 in (88.7 mm) long x 7/16 in (11.2 mm) Ø, fittings 5/8 - 18 UNF and 5/8 - 18 UNF x 1/2 in nptm
Movement:	Brass
Capillary:	6 feet (1.83 m) double braided copper standard, maximum 65 feet (19.8 m)
Well:	Available in brass or 316 Stainless Steel (see options page T25)
Accuracy:	ASME B40.200(B40.4), Grade A ± 1 % CAN/CGSB - 14.4

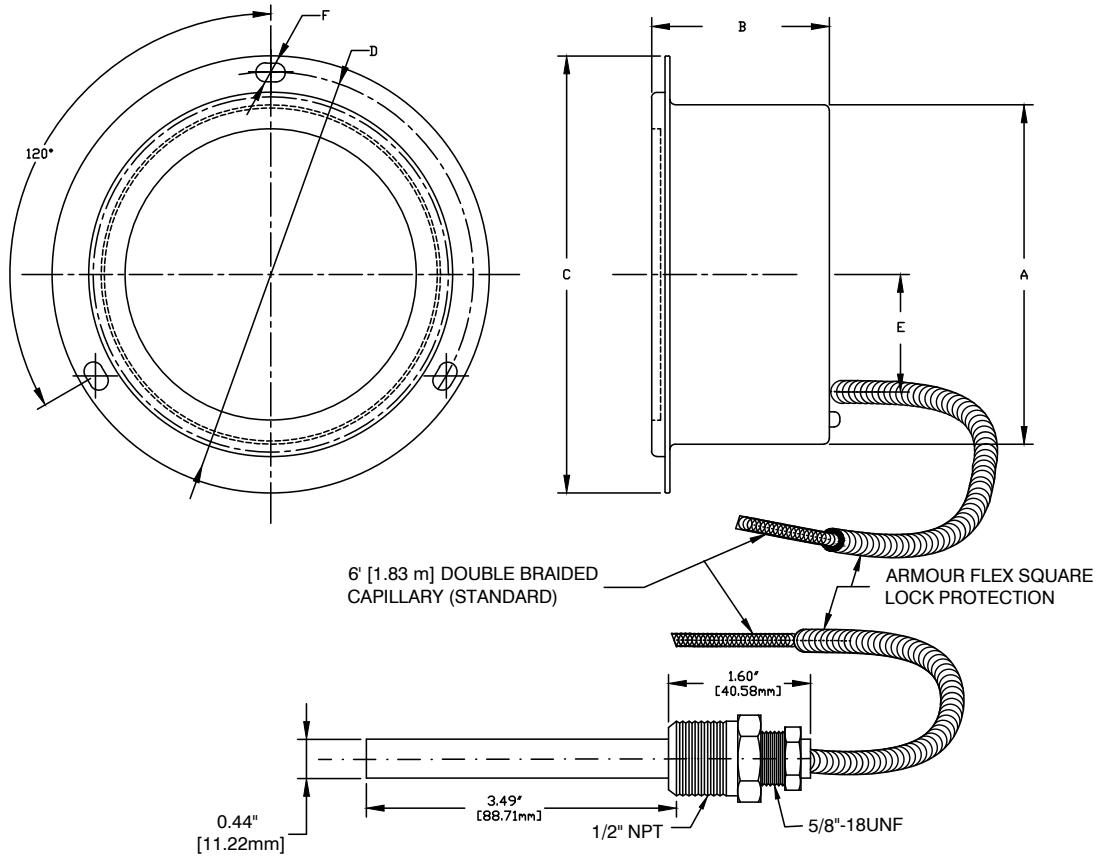
To order, use the code in the corresponding column

Size	3 1/2 in (87 mm)		4 1/2 in (115 mm)	
	lower back			
Outlet	1/2 nptm			
Connection	front flange	U-clamp	front flange	U-clamp
Style	front flange	U-clamp	front flange	U-clamp
Range	Product code	Product code	Product code	Product code
0 to 100°F / -15 to 38°C	PX535-30	PX835-30	PX545-30	PX845-30
-40 to 120°F / -40 to 50°C	PX535-31	PX835-31	PX545-31	PX845-31
0 to 160°F / -15 to 70°C	PX535-32	PX835-32	PX545-32	PX845-32
30 to 240°F / 0 to 115°C	PX535-33	PX835-33	PX545-33	PX845-33
50 to 300°F / 10 to 150°C	PX535-34	PX835-34	PX545-34	PX845-34
200 to 450°F / 100 to 235°C	PX535-35	PX835-35	PX545-35	PX845-35

Notes

- 1) Models PX5 and PX8 are remote gas vapor activated thermometers (up to 65 ft (19,8 m) between bulb and dial).
- 2) Temperature changes absorbed by the capillary or housing do not affect the temperature reading.
- 3) Additional capillary length available upon request.
- 4) Flexible 304 stainless steel armor flex protection, available upon request.

REMOTE READING THERMOMETER MANUFACTURED AT OUR PLANT (CONTINUED)
MODELS PX5 AND PX8



Dimensions as per diagram

Model	A	B	C	D	E	F	Cut-out	Fixation holes
PX5-3,5	3,82 in (97,03 mm)	2 in (50,8 mm)	4,92 in (124,97 mm)	4,56 in (115,82 mm)	1,31 in (33,25 mm)	0,22 x 0,34 in (5,59 x 8,64 mm)	3,88 in (98,55 mm)	3
PX8-3,5	3,82 in (97,03 mm)	2 in (50,8 mm)	4,40 in (111,76 mm)		1,31 in (33,25 mm)		3,88 in (98,55 mm)	U-clamp
PX5-4,5	4,72 in (119,88 mm)	1,81 in (45,97 mm)	5,88 in (149,22 mm)	5,38 in (136,52 mm)	1,31 in (33,25 mm)	0,22 x 0,34 in (5,59 x 8,64 mm)	4,75 in (120,65 mm)	3
PX8-4,5	4,72 in (119,88 mm)	1,81 in (45,97 mm)	5,38 in (136,52 mm)		1,31 in (33,25 mm)		4,75 in (120,65 mm)	U-clamp

STAINLESS STEEL REMOTE THERMOMETER MODELS TC400SS, TC401SS AND TC402SS

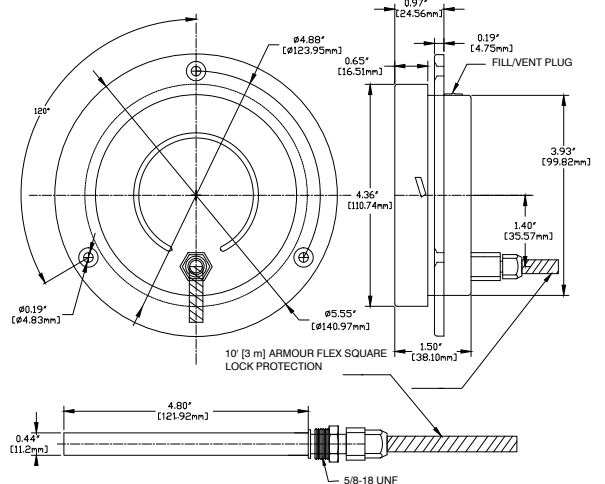
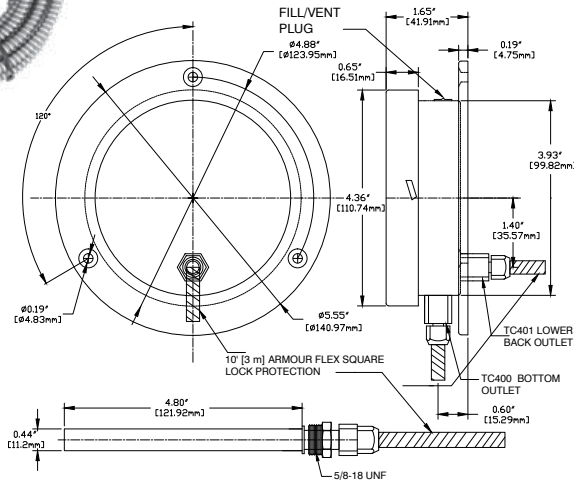
Illustrated model: TC400SS



Illustrated model: TC401SS



Illustrated model: TC402SS



Specifications

Case:	304 stainless steel (see chart below to select proper style)
Dial:	White aluminum with graduations °F in black and °C in blue
Ring:	304 stainless steel, bayonet style
Lens:	Polycarbonate
Pointer:	Anodized black aluminum, adjustable
Bulb and connection:	316 stainless steel, 4.8 in (121.92 mm) long x 7/16 in (11.2 mm) Ø, connection 5/8 - 18 UNF x 1/2 in nptm
Capillary:	10 feet (3.04 m) stainless steel capillary and stainless steel armor flex standard
Bourdon tube and movement:	316 Stainless Steel
Accuracy:	ASME B40.200(B40.4), Grade B ± 2 % CAN/CGSB - 14.4

To order, use the code in the corresponding column

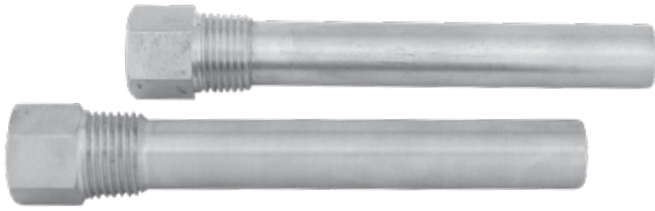
Size	4 in (100 mm)		
Style	Back flange for surface mount		front flange for panel mount
Outlet	bottom	lower back	
Connection	1/2 in nptm		
Range	Product code	Product code	Product code
-40 to 110°F / -40 to 40°C	TC400SS-36	TC401SS-36	TC402SS-36
30 to 240°F / 0 to 115°C	TC400SS-33	TC401SS-33	TC402SS-33
30 to 300°F / 0 to 150°C	TC400SS-37	TC401SS-37	TC402SS-37
200 to 500°F / 100 to 250°C	TC400SS-38	TC401SS-38	TC402SS-38

Notes

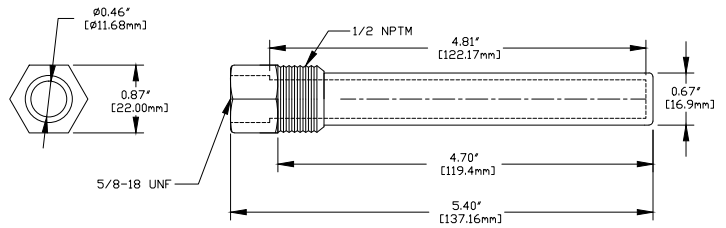
- 1) Capillary length up to 65ft (19.8m).
- 2) Additional capillary length available upon request.
- 3) Flexible 304 stainless steel armor flex protection, available upon request.

WELLS FOR REMOTE THERMOMETER MODEL WEL -TC400

Wells Illustrated model: WEL-TC400BRASS



Wells Illustrated model: WEL-TC400SS316



Specifications

Type:	For usage with remote thermometer TC400SS, TC401SS, TC402SS, PX5, PX8, TC6 and TC7
Material:	316 Stainless Steel or Brass
Connection:	½ nptf
Reference:	ASME B40.200
Certification:	Canadian Registration Number (CRN) for all provinces.

Dimensions as per diagram

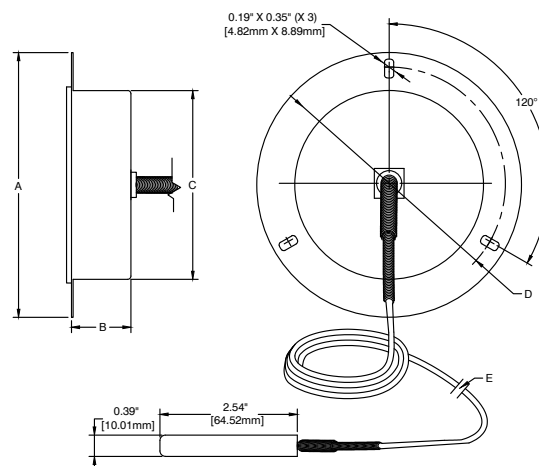
Total length	Connection	Material	Maximum pressure (psi)	Maximum Temperature (°F)	Product code
5.40 in (137.16 mm)	½ in nptm	Brass	2400	200	WEL-TC400B
		SS316	2500	1200	WEL-TC400SS316

Notes

1) Paste for wells available (45 grams). Product code: PASTE-TUBE-45GR.

THERMOMETER 3 1/2 in (90 mm) FRONT FLANGE MODEL TC35SS-03

Illustrated model: TC35SS-03



Specifications

Case:	304 stainless steel
Dial:	White aluminum, black marking
Lens:	Snap-in polycarbonate
Pointer:	Aluminum painted black
Movement:	Brass
Bourdon:	Phosphor bronze
Sensor:	316 stainless steel, sensor without connection, 0.39 in (10.01 mm) OD x 2.54 in (64.5 mm) long
Accuracy:	ASME B40.200(B40.4), Grade B \pm 2 % CAN/CGSB - 14.4

Range

30 to 240°F / 0 to 115° C

Product code

TC35SS-03

Dimensions as per diagram

Dial	A	B	C	D	E
3,375 in (85,6 mm)	4,90 in (124,33 mm)	1,10 in (27,94 mm)	3,49 in (88,6 mm)	4,43 in (112,5 mm)	5 pi (1,524 m)

TRIDICATOR MODEL TRI



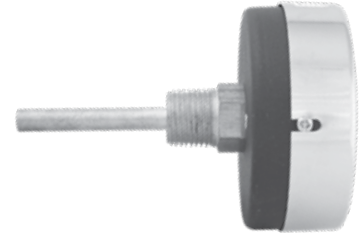
Illustrated model: TRI-02



Illustrated model: TRI-01



Illustrated model: TRI-03



Illustrated model: TRI-04

Specifications

Case:	Steel, painted black
Dial:	White aluminum, psi and °F in black, kPa and °C in blue
Cover:	Chrome plated Steel
Lens:	2 ½ in (63 mm) acrylic threaded lens cover. 3 in (80 mm) polycarbonate lens
Pointer:	Anodized black aluminum
Movement:	Brass (pressure) bimetal coil (temperature)
Stem:	Brass (std), Lead Free Brass (-X)
Connection:	2 ½ in (63 mm) ¼ in nptm and 3 in (80 mm) ½ in nptm
Recommended pressure and temperature:	Maximum 67% of full scale value
Ambient temperature:	25 to 125°F / -5 to 50°C
Accuracy:	ASME B40.4-1997 Grade B ± 2%

To order, use the code in the corresponding column

Stem				Brass	Lead Free Brass
Diameter Ø	Range	Connection	Product code	Product code	Product code
2 ½ in (63 mm)	0 to 75 psi/kPa and 30 to 240°F/C	¼ in nptm	center back	TRI-01	TRI-01-X
			bottom	TRI-02	
3 in (80 mm)	0 to 75 psi/kPa and 30 to 240°F/C	½ in nptm	bottom	TRI-03	TRI-03-X
			center back	TRI-04	TRI-04-X
	0 to 100 psi/kPa and 30 to 240°F/C	½ in nptm	bottom	TRI-05	
			center back	TRI-06	TRI-06-X
	0 to 200 psi/kPa and 30 to 240°F/C	½ in nptm	bottom	TRI-07	
			center back	TRI-08	
	0 to 100 psi and 0 to 80°F	½ in nptm	bottom	TRI-10	TRI-10-X
			center back	TRI-11	
	0 to 75 psi and 30 to 240°F/C	¼ in nptm	center back	TRI-16	
			bottom		TRI-17-X
0 to 100 psi and -40 to 120°F/C	½ in nptm	center back		TRI-18-X	
		bottom		TRI-19-X	
0 to 300 psi and 0 to 250°F/C	½ in nptm	center back		TRI-20-X	
		bottom			
Stem				Stainless Steel	
2 ½ in (63 mm)	0 to 75 psi/kPa and 30 to 240°F/C	¼ in nptm	center back	TRI-01SS	

TRICATOR (CONTINUED) MODEL TRI

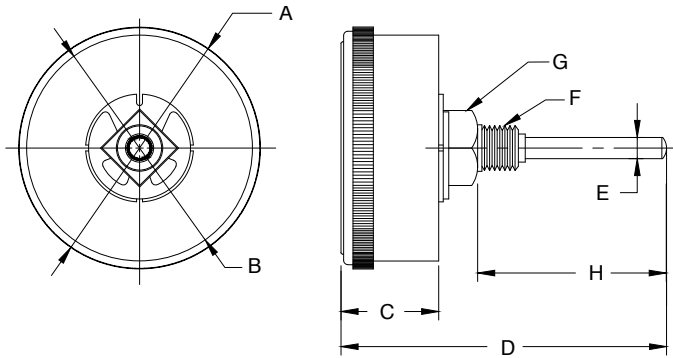


Diagram: TRI 2 1/2 in Center back

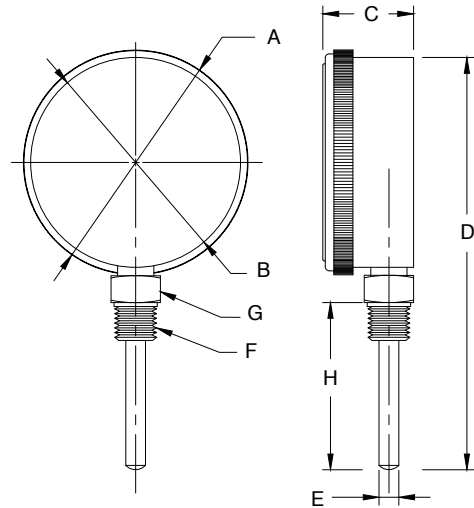


Diagram: TRI 2 1/2 in bottom

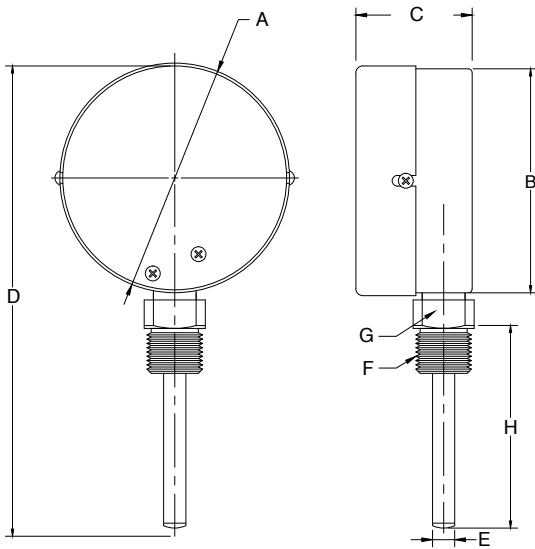


Diagram: TRI 3 in bottom

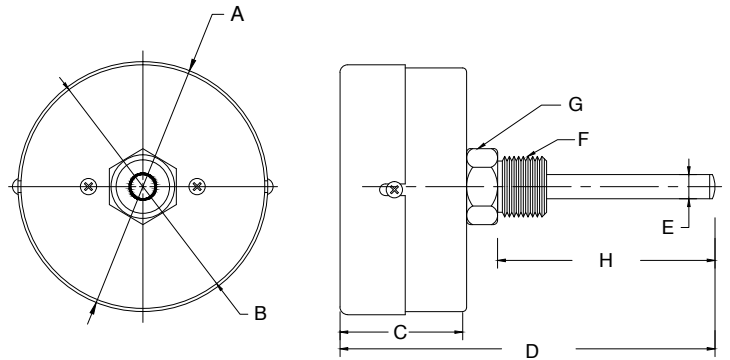


Diagram: TRI 3 in Center back

Dimensions as per diagram

Ø	A	B	C	D	E	F	G	H
2,5 in (63 mm)	2,83 in (72 mm)	2,63 in (66,8 mm)	1,14 in (28,9 mm)	3,78 in (96,01 mm) (center back)	0,25 in (6,4 mm)	¼ in nptm	0,625 in (16 mm) flat	2,20 in (55,9 mm)
2,5 in (63 mm)	2,83 in (72 mm)	2,63 in (66,8 mm)	1,27 in (32,38 mm)	5,26 in (133,6 mm) (bas)	0,25 in (6,4 mm)	¼ in nptm	0,625 in (16 mm) flat	2,30 in (58,4 mm)
3 in (80 mm)	3,20 in (81,3 mm)	3,13 in (79,5 mm)	1,37 in (34,8 mm)	4,63 in (117,6 mm) (center back)	0,32 in (8,1 mm)	½ in nptm	0,875 in (22 mm) flat	2,87 in (72,9 mm)
3 in (80 mm)	3,20 in (81,3 mm)	3,13 in (79,5 mm)	1,50 in (38 mm)	6,52 in (121,1 mm) (bas)	0,32 in (8,1 mm)	½ in nptm	0,875 in (22 mm) flat	2,80 in (71,1 mm)